

Industrial Range

High Bay Light

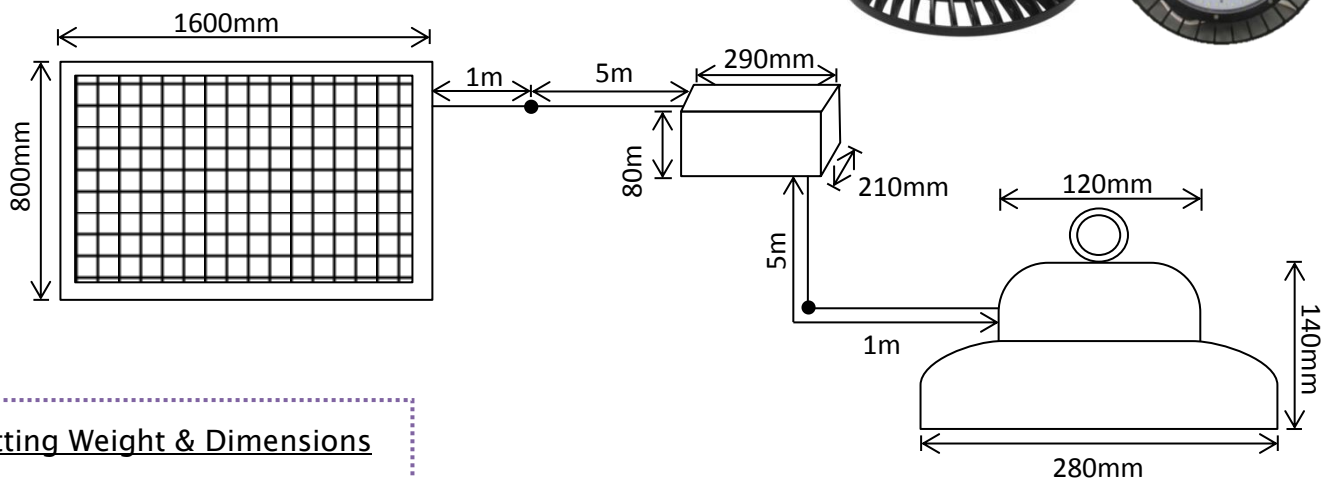
High Bay Light

Product Code	LED's	Battery	Solar Panel	IP Rating	Lumens
SLDHB-100W	264 x SMD3030 LEDs (Cool White)	1 x 40Ah 24vDC Li-ion	36V 200W Separate Polycrystalline	67	11000 @ 1m

Features:

- Die Cast Aluminium Construction
- Built-in MPPT Controller
- RF Remote Control Operation
- Multiple Pre-programmed Modes
- Brightness Adjustable
- Time Adjustable
- Approximately 12 hour run time
- Strength & Durability Rating: IK10

2 Year Warranty!



Packaged Fitting Weight & Dimensions

Please contact us via the number below for the dimensions of this fitting.