

# Commercial Range

## Flood Lights

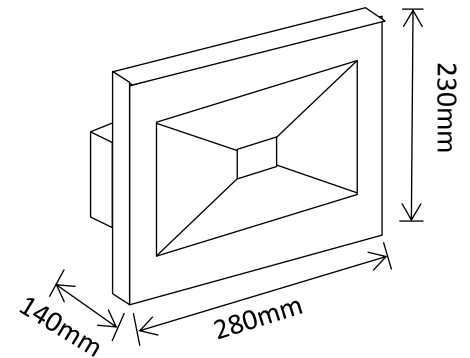
### 30W Flood Light

| Product Code | LED's         | Battery                   | Solar Panel | IP Rating | Lumens                           |
|--------------|---------------|---------------------------|-------------|-----------|----------------------------------|
| SLDFL30W     | 5730 SMD LEDs | 1 x 7.4vDC<br>21AH Li-Ion | N/A         | 65        | 2250 @ 1m (CW)<br>2200 @ 1m (WW) |

#### Features:

- Die Cast Aluminium – Body
- Tempered Safety Glass
- RF Remote Control Operation
- Wall Mounting Bracket
- 5m Connection Cable
- Dimmable
- Dual Colour LED Technology
- LED Selector Switch

**2 Year Warranty!**



#### Packaged Fitting Weight & Dimensions

W: 3.6kg

D: 29cm x 27cm x 16cm

| Solar Panel Required    |         |          |
|-------------------------|---------|----------|
| No. of lights connected | SLDSP60 | SLDSP100 |
| 1                       | ✓       |          |
| 2                       |         | ✓        |

\*Please reference page 83 for further Solar Panel information