

Residential Range

Bollard Lights

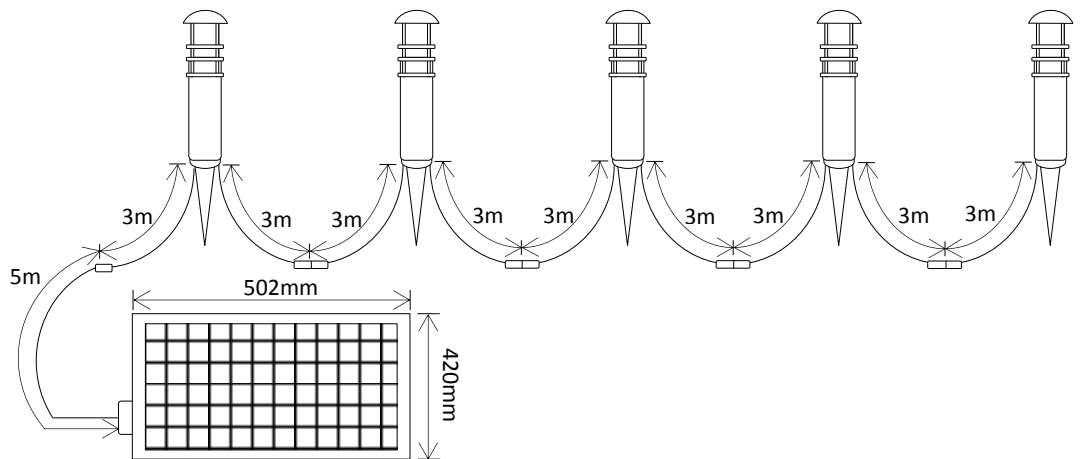
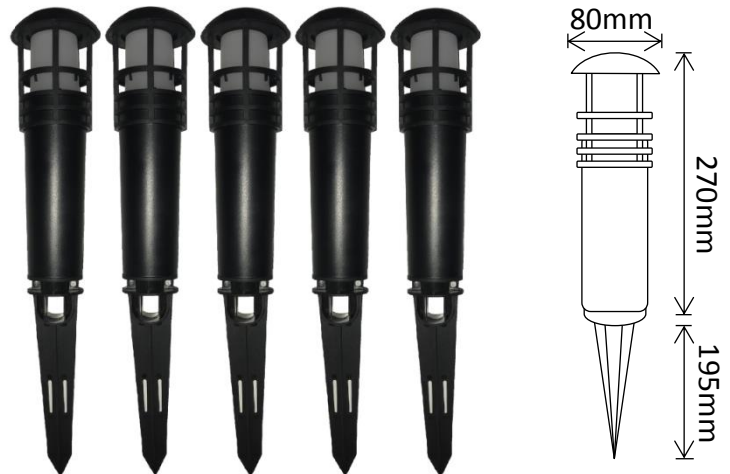
Bollard Light Kit

Product Code	LED's	Battery	Solar Panel	IP Rating	Lumens
SLDBLK-5	1 x COB LED @3Wea (WW)	1 x 12.8V 8Ah	18v 30W Remote Polycrystalline	65	140 @ 1m

Features:

- Moulded P.C. Construction
- Approximately 6-8 hours Operation
- Spike Mounted base

1 Year Warranty!



Packaged Fitting Weight & Dimensions

W: 7.7kg

D: 54cm x 43cm x 17cm