

# Residential Range

## Bollard Lights

### Bollard Light

Product Code	LED's	Battery	Solar Panel	IP Rating	Lumens
SLDBL0026-2.6W-PIR	12 x SMD LED @0.2W (CW) 1 x SMD LED @0.2W (WW)	3 x 800mAh NiMH	0.6W Integrated Polycrystalline	44	350 @ 1m
SLDBL0027-2.6W-PIR	12 x SMD LED @0.2W (CW) 1 x SMD LED @0.2W (WW)	3 x 1500mAh NiMH	1W Integrated Polycrystalline	44	350 @ 1m

#### Features:

- Pyro-electric Infrared Sensor
- Stainless Steel Construction
- Approximately 6-8 hours Operation
- Approximately 1 minute Sensor Run Time
- UV-Stabilised PVC Lens
- Spike & Surface Mount Option with Stainless Steel Trim

**1 Year Warranty!**

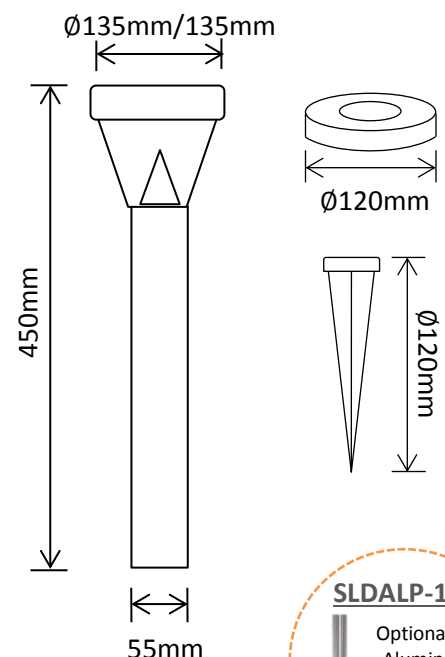
#### Packaged Fitting Weight & Dimensions

W: 0.9kg

D: 48cm x 15cm x 16cm



SLDBL0026-2.6W-PIR  
(Round Head)



SLDBL0027-2.6W-PIR  
(Square Head)

#### **SLDALP-100**

Optional 1m Aluminium Extension post to suit Residential Bollards