

PSL2800WB

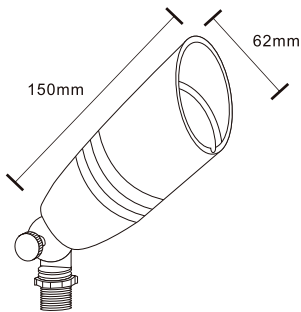
MATERIAL / FEATURES

- Heavy Duty Cast Brass
- Shock and heat resistant convex glass lens
- Includes (GS1) ABS Ground Stake, 1/2" NPT thread, slotted for ease of installation
- EPDM Rubber Bug Plug, prevents moisture/bugs from entering fixture
- Thumb Screw on knuckle for easy field adjustment
- Double "O" Ring Seal for added moisture protection
- Weather Resistant Aged Finish - Brass
 - (WB) Weathered Bronze
 - WB Brass finish will patina / tarnish depending on environmental conditions



SPECIFICATIONS

- 12 Volt Fixture
- 3' - #18/2 Direct Bury Landscape Lighting Wire
- Hi-temp ceramic socket w/nickel contacts, stainless steel springs, and Teflon jacketed wire leads
- Globe required – MR16 50 W Max
- IP Rating: IP65



PART NUMBER	Colour	COLOUR TEMP	LUMENS	INPUT	INCLUDED LED
PSL2800WB	WeatheredBronze				No globes supplied
PSL2800WB-PLV5	WeatheredBronze	2700K	350	12V AC/DC	5W MR16 PLV5-MR16-FL-27K
PSL2800WB- PLXC5	WeatheredBronze	2700K	400	12V AC/DC	5W MR16 PLXC5-MR16-FL-27K