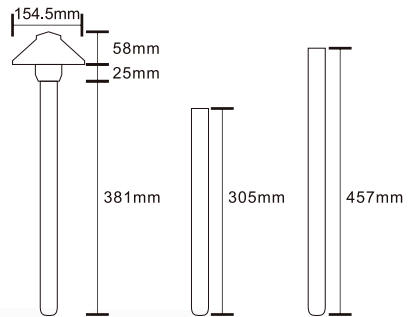


# PPL1319BK PPL1319BZ PPL2319WB

## MATERIAL / FEATURES

- Heavy Duty Cast Aluminium/Brass
- Powder Coated Reflective White Under Shade
- Industrial Grade Hub Assembly includes:
  - Rugged "O" Ring Seal for added moisture protection
  - Frosted Glass or Clear Lens
  - High Grade Cast Shatter Shield: Protects against accidental injury
- Always straight design ensures Shades are always level on Posts
- Weather Resistant Powder Coat finish –Aluminium
  - (BK) Black – PPL1319BK
  - (BZ) Commercial Bronze – PPL1319BZ
- Chemically Aged finish – Brass
  - (WB) – Weathered Brass – PPL2319WB
  - WB Brass finish will patina / tarnish depending on environmental conditions



## SPECIFICATIONS

- 12 Volt Fixture
- 3' - #18/2 Direct Bury Landscape Lighting Wire
- Hi-temp ceramic socket w/nickel contacts, stain steel springs, and Teflon jacketed wire leads
- Post Heights: 305mm/381mm/457mm
- Globe required: G4 35W Max
- IP Rating: IP65



PPL1319BK

PPL1319BZ

PPL2319WB

PART NUMBER	Colour	Post Height	COLOUR TEMP	LUMENS	INPUT	INCLUDED LED
PPL1319BK-12/15/18	Black	305/381/457mm				No globes supplied
PPL1319BZ-12/15/18	Bronze	305/381/457mm				No globes supplied
PPL2319WB-12/15/18	Weathered Bronze	305/381/457mm				No globes supplied
PPL1319BK/BZ-12/15/18-PLV3G4	Black/ Bronze	305/381/457mm	2700K	230	12V AC/DC	3.5W G4 Bi Pin PLV3-G4-27K
PPL2319WB-12/15/18-PLV3G4	Weathered Bronze	305/381/475mm	2700K	230	12V AC/DC	3.5W G4 Bi Pin PLV3-G4-27K