

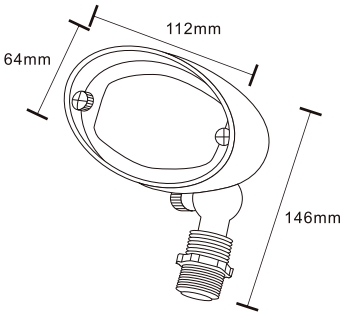
PFL2900WB

MATERIAL / FEATURES

- Heavy Duty Cast Brass
- Heat Resistant Interchangeable Gasket and Lenses included - Clear Lens or Frosted Lens
- Includes (GS1) ABS Ground Stake, 1/2" NPT thread, slotted for ease of installation
- EPDM Rubber Bug Plug, prevents moisture/bugs from entering fixture
- Thumb Screw on knuckle for easy field adjustment
- "O" Ring Seal for added moisture protection
- Weather Resistant Aged Finish – Brass
 - (WB) Weathered Bronze
 - WB Brass finish will patina / tarnish depending on environmental conditions

SPECIFICATIONS

- 12 Volt Fixture
- 3' - #18/2 Direct Bury Landscape Lighting Wire
- Hi-temp ceramic socket w/nickel contacts, stainless steel springs, and Teflon jacketed wire leads
- Globe required – G4 35 W Max
- IP Rating: IP65



PART NUMBER	Colour	COLOUR TEMP	LUMENS	INPUT	INCLUDED LED
PFL2900	Weathered Bronze				No globes supplied
PFL2900WB- PLV3G4	Weathered Bronze	2700K	230	12V AC/DC	3.5W G4 Bi Pin PLV3-G4-27K