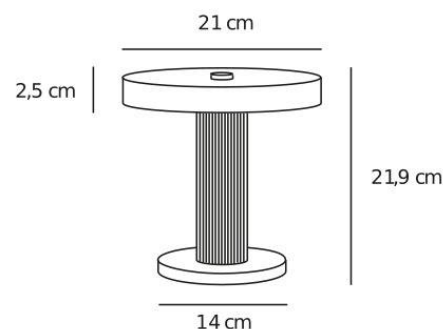


TREZZI PORTABLE | TABLE LAMP | WHITE

2520135001

nordlux®



Item Number: 2520135001
EAN: 5704924024115

Colour: White
Primary material: Metal
Secondary material: Glass
Colour of the cable: Black
Length of the cable (cm): 150
Surface material of the cable: Plastic
Is the cable replaceable: True

IP degree: IP20

Socket type: LED – Non-replaceable
light source
IK degree: IK00
Class (Class 1, Class 2, Class 3):
Class 3 (Low voltage)
Parallel connection: False
Switch placement: On the fixture
Voltage (V): 3,7 Volt
Height (cm) : 22
Shade Diameter (cm): 21
Length (cm): 21

Pcs Per Master Carton: 3
Sales Box Height (cm): 26
Sales Box Width(cm): 27

Sales Box Depth (cm): 26
Sales Box Volume m³ : 0.0183
Product net weight (kg): 1.8

Brightness of light (Lumen): 270
Colour temperature (Kelvin): 3000
Ra-value : 90
Lifetime (hours): 30000
Battery lasting time for each lumen:
390lm/7h; 155lm/19h; 43lm/60h
Battery recharging 0%-100% (h): 7.5
Energy class: G
Actual watt (W): 5

Mixed materials – fluted glass and stainless steel•3-step Moodmaker™ dimming•Can light up while charging•USB-C charging cable included•Heavy base ensures a stable lamp•Long LED lifespan (30,000 hours)

Trezzi is an elegant, portable table lamp designed by Danish design studio Anker Studio. Inspired by the refined proportions of a cocktail glass, Trezzi has a modern and elegant design with fluted glass that draws inspiration from Art Deco style. Dim the light in three steps using the touch button to create the perfect ambience. The lamp is easily charged with the included USB cable.