



Replacement  
Warranty\*

## HIGH PERFORMANCE EXHAUST FAN WITH LED LIGHT



**POWERFUL  
AIR/STEAM  
EXTRACTION  
240M<sup>3</sup>/HR**

The Tetra II exhaust fan features a superior blade design for maximum air & steam extraction as well as a 7W GU10 LED light. Making this high performance exhaust fan suitable for small to medium sized bathrooms.

- 7W GU10 reflector globe included
- Superior blade design for maximum air extraction
- Low noise operation
- High performance ball bearing motor



COB LED  
Light



IP  
Rating



High Velocity  
Air-steam  
Extraction



Low  
Profile



Quiet  
Operation



High Performance  
Bearing Motor



Draft  
Stopper

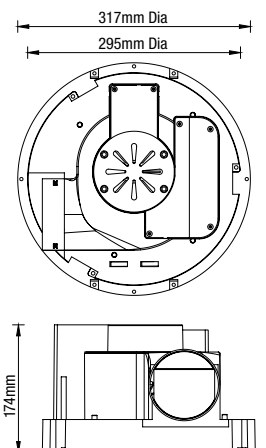
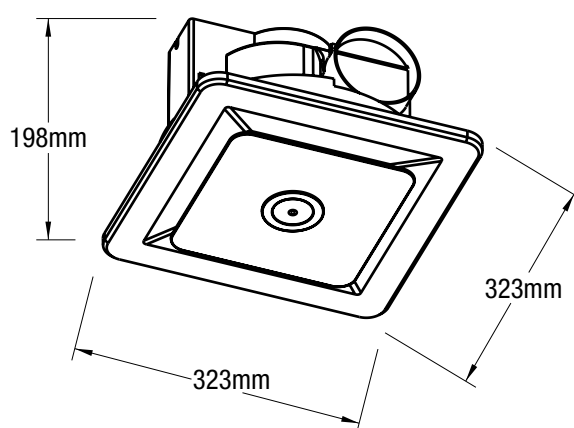


Easy Side  
Vent Access

### INCLUDES

7W GU10 LED globe

### DIMENSIONS



Aust/NZ Approval No.  
EESS-150407-0

## HIGH PERFORMANCE EXHAUST FAN

### FEATURES

- 7W LED GU10 globe included
- Quick and easy installation to ceiling using a quick mount swivel clip
- 100mm side exhaust duct to prevent ceiling objects falling through
- Superior blade design for maximum air/steam extraction
- High performance ball bearing motor
- Quiet operation
- Removable fascia for easy cleaning



### SPECIFICATIONS

<b>Model name</b>	Tetra II
<b>Model number</b>	Silver MXFLT25S – White MXFLT25W
<b>Power (wattage)</b>	30W
<b>Voltage</b>	220v – 240v
<b>Frequency</b>	50Hz
<b>Exhaust air movement (m³/hr)</b>	240m³/hr
<b>Motor</b>	Ball bearing
<b>Material</b>	Polypropylene body / ABS fascia
<b>Light type</b>	GU10 COB reflector globe
<b>Light Wattage</b>	7W
<b>Colour Temperature</b>	3000K
<b>Lumens</b>	700lm
<b>Light beam angle</b>	60°
<b>CRI</b>	≥80
<b>Weather resistance rating</b>	IP20
<b>Fascia size (mm)</b>	320mm x 320mm
<b>Cut out size (mm)</b>	Dia 295mm
<b>Duct outlet diameter (mm)</b>	100mm
<b>Minimum installation ceiling depth</b>	180mm

### INSTALLATION

<b>Installation</b>	By licensed electrician only
<b>Warranty</b>	2 year replacement warranty*

\*For further information regarding warranty terms and conditions, please refer to enclosed warranty statement. Warranty is void unless installed by a licensed electrician.

### SHIPPING

<b>Packaging size</b>	L355 x H355 x D245mm
<b>Gross weight</b>	3kg
<b>Carton qty</b>	2

### AVAILABLE IN WHITE AND SILVER



Model	Colour	Barcode
MXFLT25S	Silver	 9312375500131
MXFLT25W	White	 9312375500148