

DALI DIMMER RELAY MODULE



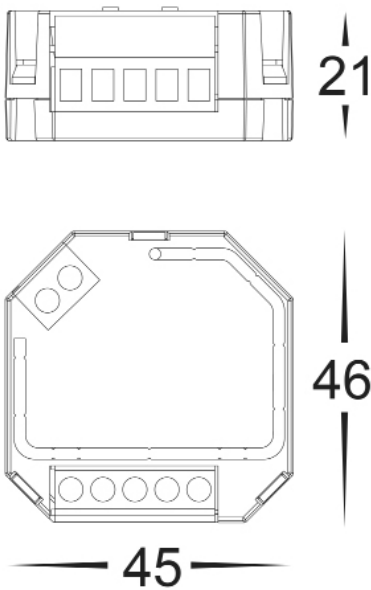
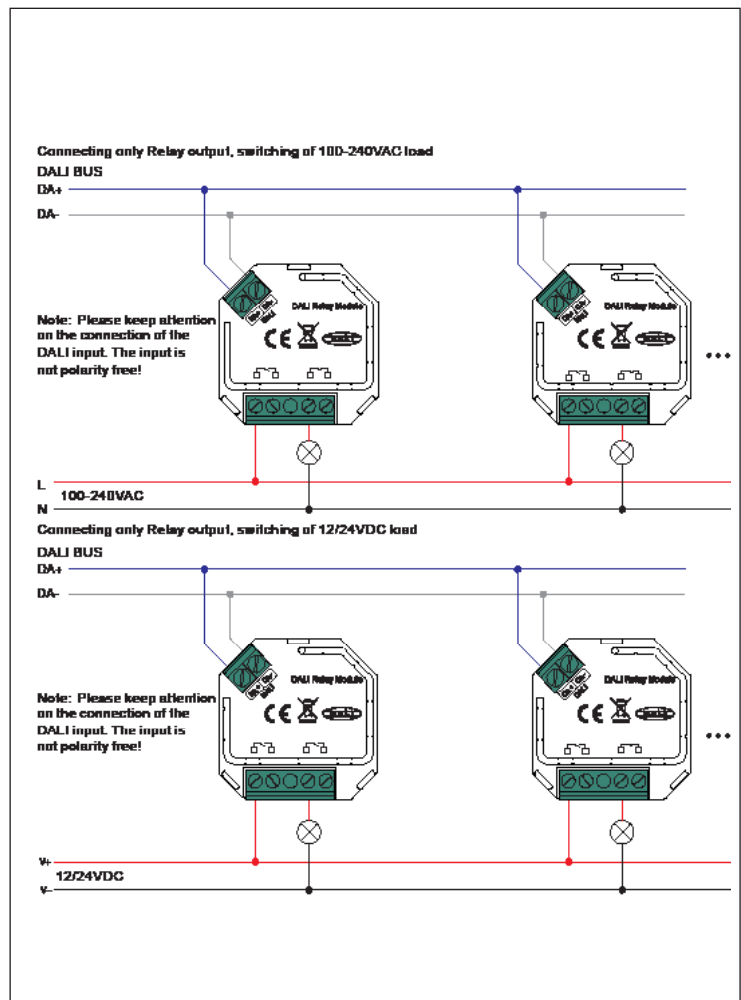
DALI DIMMER MODULE

MATERIAL	PLASTIC
COLOUR / FINISH	WHITE
NUMBER OF ADDRESSES	1
INPUT VOLTAGE	240V
OUTPUT POWER	300W LED
DIMMING	DALI DIMMING OR ON & OFF
DIMMING RANGE	0-100%
PROTECTION	OVERLOAD & SHORT CIRCUIT
WORKING TEMP	-30°C - 55°C
WEIGHT	160G
IP RATING	IP20
WARRANTY	5 YEARS REPLACEMENT

RELAY MODULE

HCP-79273	ON AND OFF RELAY
HCP-79274	DALI DIMMING RELAY

SAMPLE WIRING DIAGRAM



Web: www.havitcommercial.com.au
 Email: sales@havitcommercial.com.au
 Phone: 02 9381 8383

ADDRESS: 8/133 Beauchamp Road, Matraville, N.S.W., 2036



Warranty Terms & Conditions



LED Strip Controllers