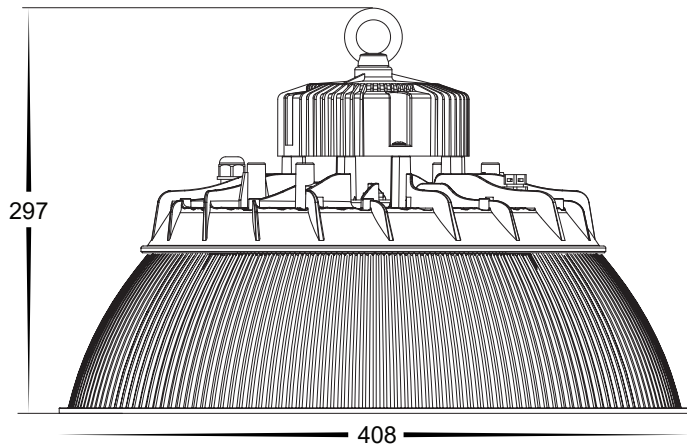
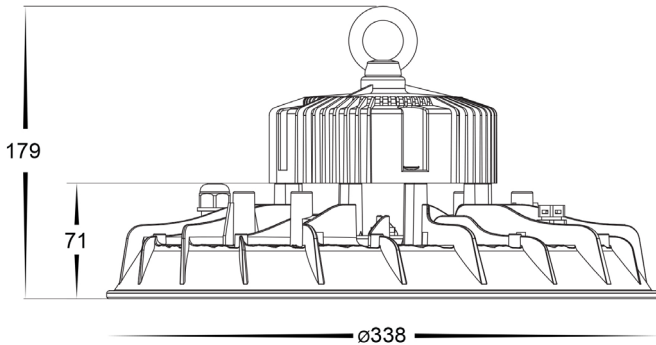


# ADJUSTABLE WATTAGE LED HIGH BAY

## ADJUSTABLE WATTAGE LED HIGH BAY

MATERIAL	ALUMINIUM
COLOUR / FINISH	MATT BLACK
COLOUR TEMP	3000K   4000K   5000K
LUMEN OUTPUT	14000LM -30000LM
INPUT VOLTAGE	240V AC (SUPPLIED WITH FLEX & PLUG)
BUILT IN LED	100W, 120W, 150W, 200W LED
DIMMING	NON-DIMMABLE
CHIP TYPE	EPISTAR
DRIVER TYPE	SOSEN
CRI	RA >80
BEAM ANGLE	ADJUSTABLE 60°, 90°, 120°
IP RATING	IP65
WARRANTY	5 YEARS REPLACEMENT



## ALUMINIUM BLACK

HCP-2920003	3000K	14000LM 16800LM 21000LM 28000LM
HCP-2920004	4000K	14500LM 17400LM 21750LM 29000LM
HCP-2920005	5000K	15000LM 18000LM 22500LM 30000LM

## OPTIONAL ACCESSORIES

HCP-292000-RF	Reflector to suit
HCP-292000-MC	Microwave Sensor