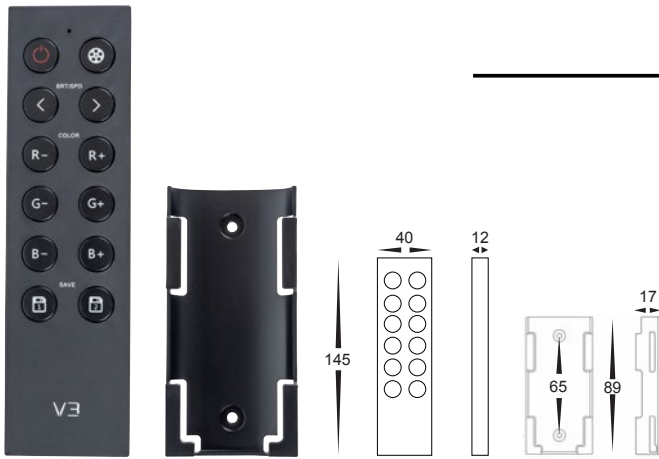


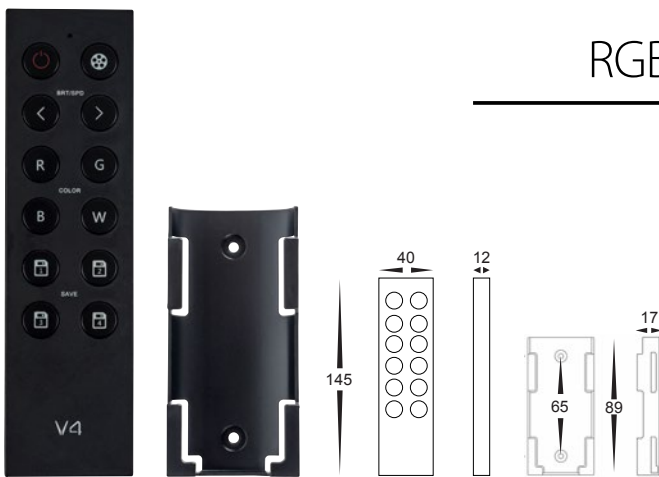
## RGB LED Strip Remote Controller



- RGB LED strip remote controller
- Suits Ecolamp RGB LED Strip
- Output Signal: 2.4GHZ
- Transmitting Range: 30m approx
- DC 3v battery (CR2032)
- Must be used with HV9103-R4-5A

PART NUMBER	Description	IP Rating	POWER
<b>HV9102-V3</b>	RGB LED strip remote controller	IP20	DC 3v battery (CR2032)

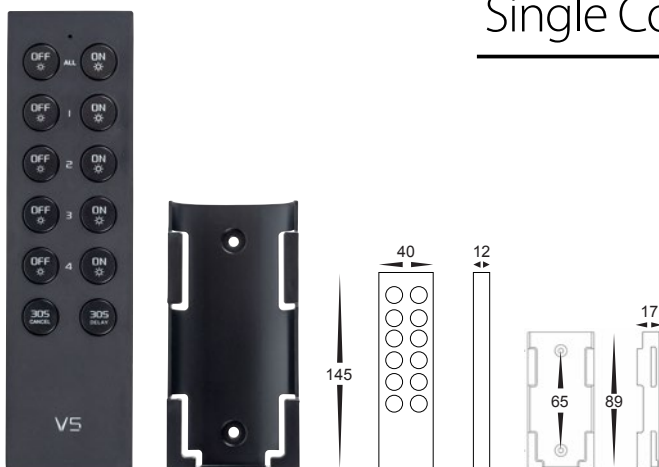
## RGBC/W LED Strip Remote Controller



- RGBC & RGBW LED strip remote controller
- Suits Ecolamp RGBC/W LED Strip
- Output Signal: 2.4GHZ
- Transmitting Range: 30m approx
- DC 3v battery (CR2032)
- Must be used with HV9103-R4-5A

PART NUMBER	Description	IP Rating	POWER
<b>HV9102-V4</b>	RGBC/W LED strip remote controller	IP20	DC 3v battery (CR2032)

## Single Colour LED Strip Remote Controller



- Single Colour LED strip remote controller
- Suits Ecolamp Single Colour LED Strip
- Control up to 4 separate zones
- Output Signal: 2.4GHZ
- Transmitting Range: 30m approx
- DC 3v battery (CR2032)
- Must be used with HV9103-R4-5A

PART NUMBER	Description	IP Rating	POWER
<b>HV9102-V5</b>	Single Colour LED strip remote controller	IP20	DC 3v battery (CR2032)

All low voltage products that specify LED or are supplied with a 12v DC LED globe must be used with a suitable LED driver, refer to pages (185 - 206)  
Lumen output measured at source. All globes supplied with fittings are non dimmable. If you require 240v dimmable globes refer to pages (257 - 258)