

WP700MA-3

Constant Current LED Driver



Description

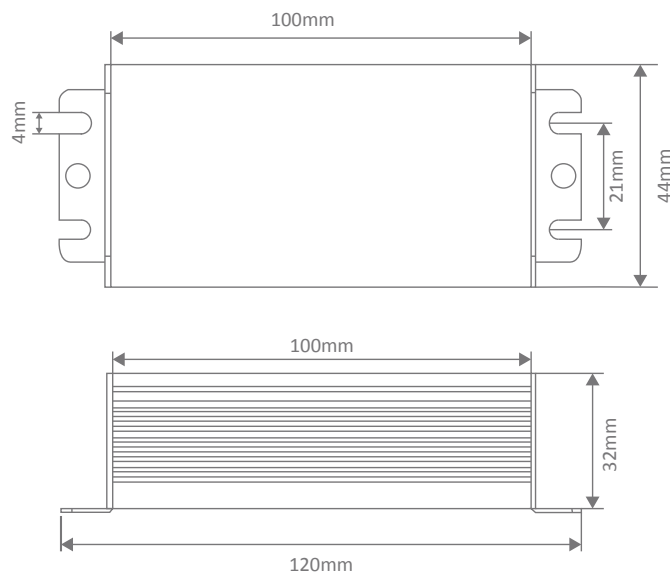
3W 700mA Constant Current LED driver. Featuring an anodised aluminium housing designed for harsh environmental conditions. Designed to work with luminaires requiring the use for 700mA Constant Current. Complete with flex and plug. Backed by a 3 Year replacement Warranty.

Specification Features

Input Voltage (AC):	200-260V AC (50/60Hz)
Output Voltage (DC):	3 - 5V
Output Current (A):	700mA
Output Wattage (W):	2 - 3W
Flex and Plug:	Yes
IP Rating (IP):	67
Dimensions:	(L) 100mm x (W) 44mm x (H) 32mm
Dimmable:	No
Warranty:	3 Year Replacement
Wiring:	Wire in Series



Diagrams / Additional



Item No.	Variant
DRIVER-WP700MA	20393

WP700MA-10

Constant Current LED Driver



Description

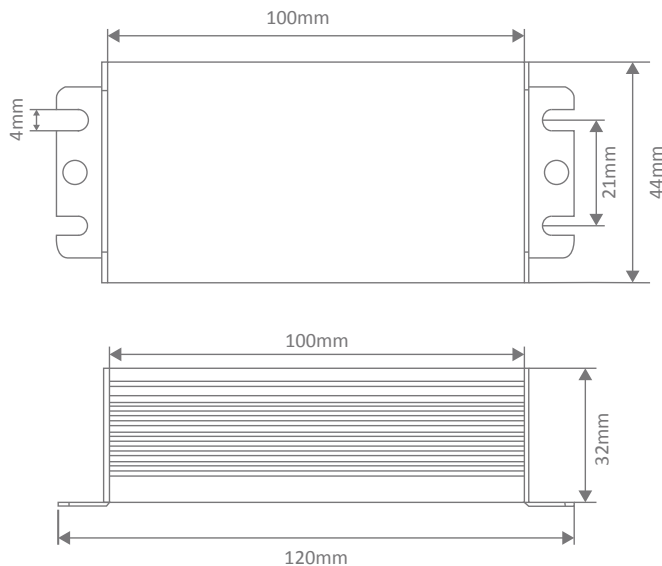
10W 700mA Constant Current LED driver. Featuring an anodised aluminium housing designed for harsh environmental conditions. Designed to work with luminaires requiring the use for 700mA Constant Current. Complete with flex and plug. Backed by a 3 Year replacement Warranty.

Specification Features

Input Voltage (AC):	200-260V AC (50/60Hz)
Output Voltage (DC):	12 - 15V
Output Current (A):	700mA
Output Wattage (W):	8.5 - 10W
Flex and Plug:	Yes
IP Rating (IP):	67
Dimensions:	(L) 100mm x (W) 44mm x (H) 32mm
Dimmable:	No
Warranty:	3 Year Replacement
Wiring:	Wire in Series



Diagrams / Additional



Item No.	Variant
DRIVER-WP700MA	20395

WP700MA-20

Constant Current LED Driver



Description

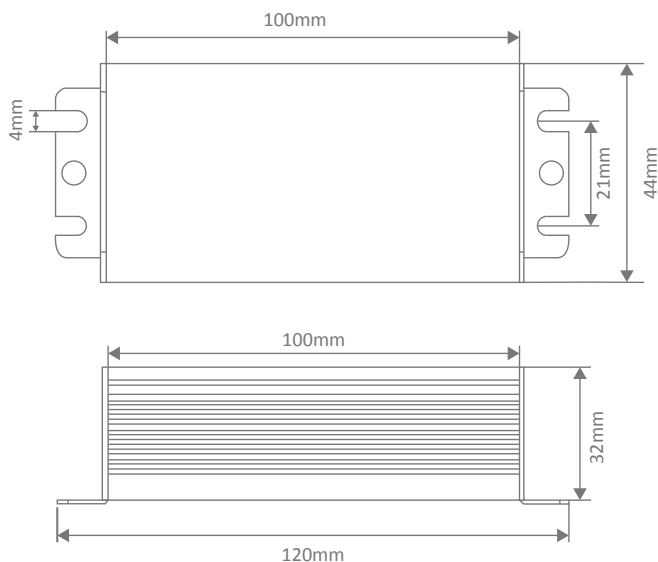
20W 700mA Constant Current LED driver. Featuring an anodised aluminium housing designed for harsh environmental conditions. Designed to work with luminaires requiring the use for 700mA Constant Current. Complete with flex and plug. Backed by a 3 Year replacement Warranty.

Specification Features

Input Voltage (AC):	200-260V AC (50/60Hz)
Output Voltage (DC):	25 - 30V
Output Current (A):	700mA
Output Wattage (W):	17.5 - 20W
Flex and Plug:	Yes
IP Rating (IP):	67
Dimensions:	(L) 100mm x (W) 44mm x (H) 32mm
Dimmable:	No
Warranty:	3 Year Replacement
Wiring:	Wire in Series



Diagrams / Additional



Item No.	Variant
DRIVER-WP700MA	20256