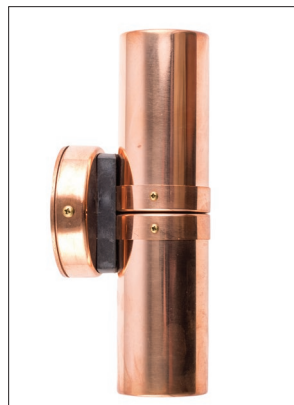
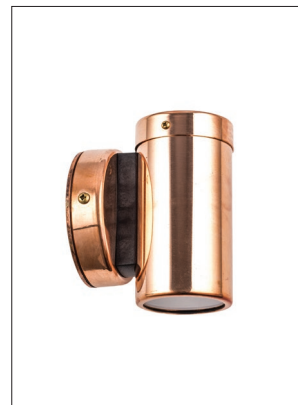


# 12V MR16 EXTERIOR WALL PILLAR LIGHTS (Copper)



PMUDCEC



PM1FCEC



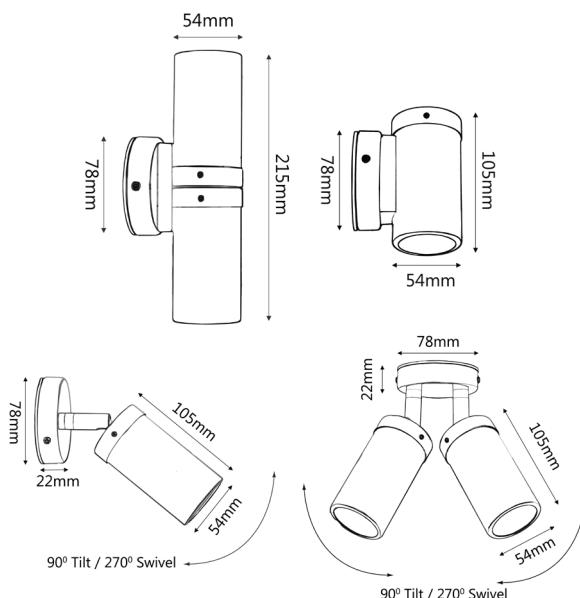
PM1ACEC



PM2ACEC

## PRODUCT FEATURES

- Exterior surface mounted wall lights
- Input voltage range: 12-25V DC
- Material: copper (light weight)
- Colour: copper
- **Anti-glare honey comb louver**
- Lamp holder: MR16 (Max.20W halogen)
- Globes not included
- Remote control gear required



PART NO.	DESCRIPTION	COLOUR	QTY OF GLOBES	WEIGHT (KG)	BOX (CM)	CARTON QTY
PMUDCEC	WALL MR16 PILLAR UP/DN COP	COPPER	2xMR16	0.8	24 x 9.5 x 9	20
PM1FCEC	WALL MR16 PILLAR Fixed COP	COPPER	1xMR16	0.5	12.5 x 9 x 9	20
PM1ACEC	WALL MR16 PILLAR S/ADJ COP (Brass knuckle)	COPPER	1xMR16	0.6	19 x 9 x 9	20
PM2ACEC	WALL MR16 PILLAR D/ADJ RND BASE COP (Brass knuckle)	COPPER	2xMR16	0.85	23 x 11.5 x 8.5	20