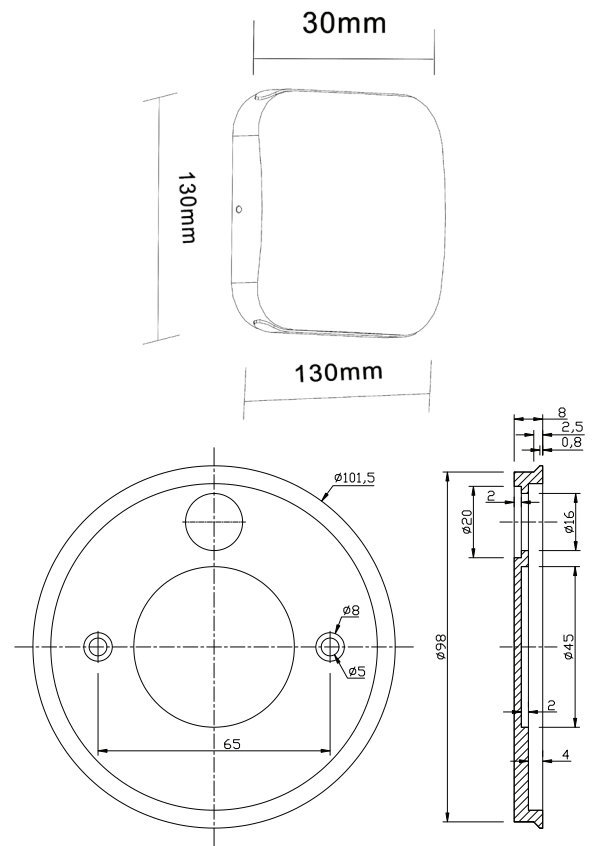


VOX SERIES LED EXTERIOR WALL LIGHTS

- Input voltage: 100~240V AC 50/60Hz
- Output voltage: 5.5~30V
- Nominal current: 350mA
- Material: aluminium
- Wattage: 9W
- Power factor: ≥ 0.5
- 32pcs Edison SMD2835 LED chips
- CRI: 80
- Ambient temp: -20 to +45°C
- Not suitable for dimming
- Suitable for 2-way switching
- Suitable for use with PIR & Microwave sensors

LIFE TIME 30,000 HOURS	BEAM 120°	IP54 RATED	WARRANTY 2YEARS REPLACEMENT
------------------------------	--------------	---------------	-----------------------------------



Back plate dimensions

PART NO.	DESCRIPTION	KELVIN (K)	LUMENS (LM)	WATT (W)	CRI	WEIGHT (KG)	BOX (CM)	CARTON QTY
VOX1	WALL EXTERNAL SQ Up//Down S/M LED BLK 9W IP54 3000K	3000	737	9	80	0.73	14.5x13.5x4	24
VOX2	WALL EXTERNAL SQ Up/DownS/M LED SAND WH 9W IP54 3000K	3000	737	9	80	0.73	14.5x13.5x4	24

UPDATED ON 02.01.2018

Tel: (02) 9938 7100 | Fax: (02) 9938 7115 | Email: sales@clalighting.com.au

Website: www.clalighting.com.au



Follow us: facebook.com/CLALighting

CLA LIGHTING