



TAMA1

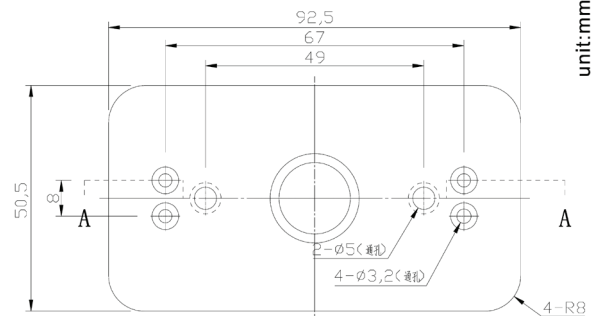
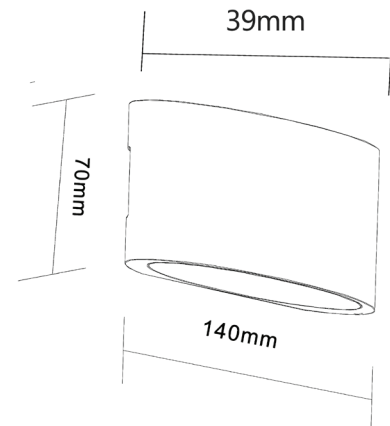
TAMA SERIES LED EXTERIOR WALL LIGHTS

- Input voltage: 100~240V AC 50/60Hz
- Output voltage: 13~24V DC
- Nominal current: 300mA
- Material: aluminium
- Wattage: 6.8W
- Power factor: ≥ 0.5
- 18pcs Edison SMD2835 LED chips
- CRI: 80
- Ambient temp: -20 to +50°C
- Not suitable for dimming
- Suitable for 2-way switching
- Suitable for use with PIR & Microwave sensors

LIFE TIME 30,000 HOURS	BEAM 120°	IP54 RATED	WARRANTY 2YEARS REPLACEMENT
------------------------------	--------------	---------------	-----------------------------------



TAMA2



unit:mm

Back plate dimensions

PART NO.	DESCRIPTION	KELVIN (K)	LUMENS (LM)	WATT (W)	CRI	WEIGHT (KG)	BOX (CM)	CARTON QTY
TAMA1	WALL EXTERNAL S/M UP/DOWN LED BLK 6.8W IP54 3000K	3000	520	6.8	80	0.46	15x8x5	24
TAMA2	WALL EXTERNAL S/M UP/DOWN LED SAND WH 6.8W IP54 3000K	3000	520	6.8	80	0.46	15x8x5	24

UPDATED ON 03.01.2018

