

SANTIAGO

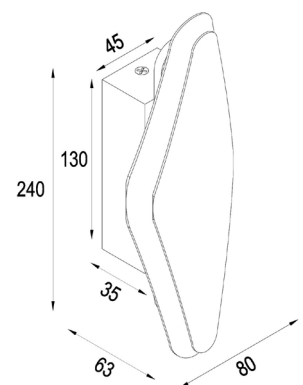
LED Tri-CCT Interior Oval Dimmable Wall Light

Decor Lighting



SANTIAGO

- Input voltage: 220-240V 50Hz
- Housing: Powder coated metal
- LED chips: 48pcs SMD2835
- Tri-CCT (3000K/ 4000K/ 5700K) in one fitting
- Switch under the back plate
- Power Factor: 0.9
- CRI: 80
- Ambient temperature: -20 to 50°C
- Suitable for dimming
- Suitable for 2 way switching
- Suitable for use with sensor



 30,000hr Lifetime	 120° Beam Angle	IP20 Rated	2YEAR Replacement Warranty
---	--	----------------------	---

Part No.	Description	Lumens			Watt	PF	Dimensions	Box Weight	Box Size	Carton Qty
		3000K	4000K	5700K						
SANTIAGO	Wall Internal S/M City LED Dimmable WH Oval Tri CCT	250LM	275LM	265LM	12W	0.9	L240x-W80xH63mm	0.6kg	9.5x8x25cm	1/10

*Must be installed by a licenced electrician (Installation instructions sheet provided in each product box)