

EXTERIOR GU10 WALL PILLAR LIGHTS *(Solid Polished Brass)*



PGUDBR2

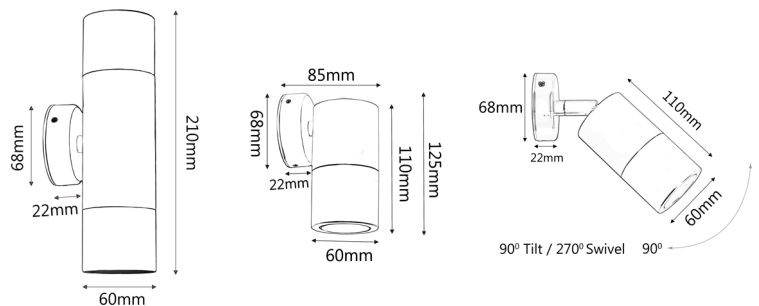
PG1FBR2



PG1ABR2

Product Features:

- Exterior surface mounted wall pillar lights
- Input voltage range: 110-265V AC 50/60Hz
- Material: solid brass
- Colour: polished brass
- Lamp holder: GU10 (Max.35W)
- Globes not included



PART NO.	DESCRIPTION	LAMP HOLDER	BACK PLATE	WEIGHT (KG)	BOX (CM)	CARTON QTY
PGUDBR2	WALL GU10 X 2 PILLAR UP/DN Solid Polished Brass	2XGU10	Ø68X22mm	1.2	8.5x9.5x22.5	1/10
PG1FBR2	WALL GU10 PILLAR FIXED Solid Polished Brass	1XGU10	Ø68X22mm	0.8	8x10x14	1/10
PG1ABR2	WALL GU10 PILLAR S/ADJ Solid Polished Brass 90D Tilt	1XGU10	Ø68X22mm	0.82	8x8x19	1/10

*Must be installed by a licenced electrician (Installation instructions sheet provided in each product box).

*To avoid disappointment and warranty problems, please ensure the IP rating of the chosen product is relevant for the intended use.