

# GU10 EXTERIOR WALL PILLAR LIGHTS (Aged EconomyCopper)



PGUDCECA



PG1FCECA



PG1ACECA



PG2ACECA

Exterior Lighting

## PRODUCT FEATURES

- Exterior surface mounted wall lights
- Input voltage range: 110-265V AC 50/60Hz
- Material: copper
- Colour: aged copper
- Lamp holder: GU10 (Max.35W halogen globe)
- Globes not included



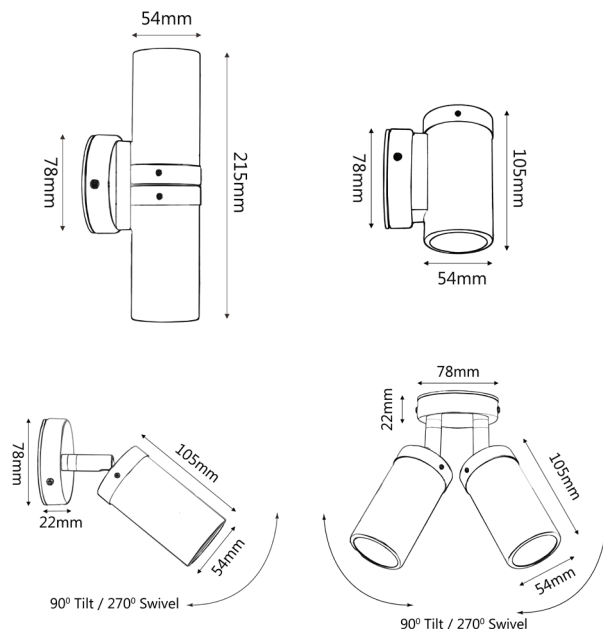
GU10

**IP54**

Rated

**2YEAR**

Replacement  
Warranty



| Part No. | Description                                     | Lamp Holder | Max. Watt | WEIGHT (KG) | BOX (CM) | CARTON QTY |
|----------|---|-------------|-----------|-------------|----------|------------|
| PGUDCECA | WALL GU10 X 2 PILLAR UP/DN AGED COPPER          | 2xGU10      | 2x35W     | 0.85        | 23x10x9  | 1/20       |
| PG1FCECA | WALL GU10 PILLAR FIXED AGED COPPER              | 1xGU10      | 1x35W     | 0.60        | 12x9x9   | 1/20       |
| PG1ACECA | WALL GU10 PILLAR S/ADJ AGED COPPER              | 1xGU10      | 1x35W     | 0.60        | 19x9x9   | 1/20       |
| PG2ACECA | WALL GU10 X 2 PILLAR D/ADJ RND BASE AGED COPPER | 2xGU10      | 2x35W     | 0.95        | 23x11x9  | 1/20       |