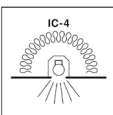


# NOVADLUX01A

LED Dimmable with **CHANGEABLE FACEPLATE(via clip)** Recessed Downlights

**TRI-CCT** 3000K 4000K 5700K

- Input voltage range: 220-240V 50/60Hz
- Inbuilt constant current driver included
- Housing: aluminium & plastic
- Faceplate: powder coated aluminium
- Diffuser: frosted PC
- Tri-CCT (3000K/ 4000K/ 5700K) in one fitting
- CCT switch on side
- LED chip: 24pcs SMD2835
- Power factor: 0.9
- CRI: ≥80
- Flex & plug: 600mm
- Ambient temperature: -20 to 40°C
- Suitable for dimming
- Suitable for 2-way switching
- Suitable for use with sensors

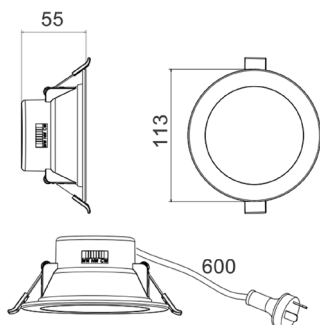


### Tested & Recommended Dimmers:

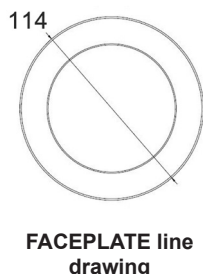
BRAND	PART NO.
CLA	VELA
CLIPSAL	32E450TM
HPM	CAT400T
DIGINET	MEDM, MMDM/RT

\*Please check with Licenced electrician for Min and Max dimmer load

\*May be compatible with other untested dimmers



NOVADLUX01A

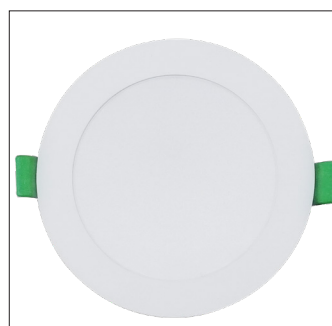


FACEPLATE line drawing



### NOVADLUX01A Box Include:

- 1x Downlight (NOVADLUX01A)
- 1x Loose Satin Chrome faceplate



NOVADLUX01A



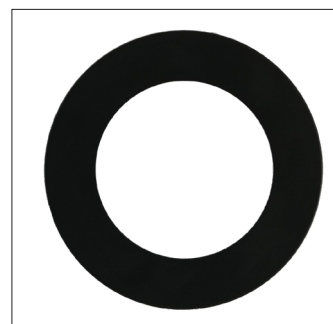
Loose Satin Chrome Faceplate

### Available faceplates (Sold Separately):

- Matte Black (NOVADBLK01A)
- Antique Brass (NOVADBR01A)



NOVADBR01A



NOVADBLK01A

PART NO.	DESCRIPTION	LUMENS			WATT	PRODUCT DIMENSIONS (mm)	CUT OUT (mm)	BOX WEIGHT (kg)	BOX DIMENSIONS (cm)	CARTON QTY
		3000K	4000K	5700K						
NOVADLUX01A	D/L LED COB FIXED WH+S/C DIMM RND TRI	800lm	950lm	850lm	10	Ø113x55	Ø90	0.26	12x12x7	1/40
NOVADBLK01A	FACEPLATE TO SUIT NOVADLUX01A MATTE BLK OD 113mm									
NOVADBR01A	FACEPLATE TO SUIT NOVADLUX01A ANTIQUE BRASS OD 113mm									