

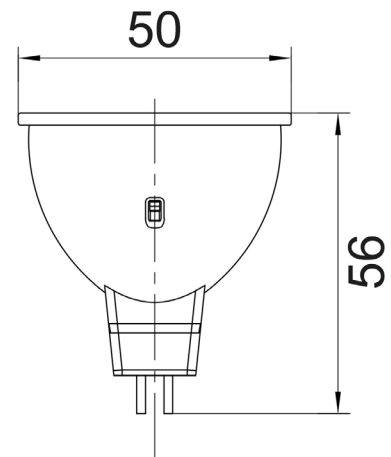
LED MR16 TRI-CCT GLOBE (6W)

- Input voltage: 12V AC/DC
- Diffuser: plastic clear
- Housing: plastic & aluminium
- Heatsink: PBT
- LED chips: 10pcs SMD2835
- Tri-CCT (3000K/ 4000K/ 5000K)
- CCT switch on housing
- CRI: ≥80
- Power factor: ≥0.5
- Ambient temperature: -20 to 40°C
- Not suitable for dimming
- Suitable for 2 way switching
- Suitable for use with sensors

 20,000hr Lifetime	 60° Beam Angle	IP20 Rated	2YEAR Replacement Warranty
--	--	----------------------	---



LED Globes



Part No.	Description	Lumens			Watt	Size	Box Weight	Box Size	Carton QTY
		3000K	4000K	5000K					
MR16TRI1	GLOBE LED MR16 6W TRI	432lm	495lm	605lm	6W	Ø50x56mm	0.05kg	5x5x6cm	1/10/100