



\*Product image shown above has a light source 'on'

## ESPEJO

### Interior Iron & Chrome Glass with Line Effect Oblong Pendant Lights

- Input voltage: 220-240V
- Material: iron & glass
- Lamp holder: E27 (Max.72W)
- Globe not included
- Shade interior colour: silver
- For indoor use only
- 1 year replacement warranty

| Part No.       | ESPEJO1   |
|----------------|---|
| Description    | PENDANT ES 72W Chrome Glass With Line Effect Oblong |
| Material       | Iron & glass  |
| Lamp holder    | 1xE27 (Max.72W)                                     |
| Dimensions     | Ø120 x H325mm                                       |
| Suspension     | 3000mm PVC cable                                    |
| Canopy size    | Ø100 x 25mm   |
| Box Weight     | 0.9kg   |
| Box Dimensions | 18x18x30cm  |
| Carton QTY     | 1/1   |

| Part No.       | ESPEJO1X3R  |
|----------------|---|
| Description    | PENDANT ES x 3 72W Chrome Glass With Line Effect Oblong |
| Material       | Iron & glass  |
| Lamp holder    | 3xE27 (Max.72W)   |
| Dimensions     | Ø330mm  |
| Suspension     | 3000mm PVC cable  |
| Canopy size    | Ø250 x 25mm   |
| Box Weight     | 2.6kg   |
| Box Dimensions | 31x31x28cm  |
| Carton QTY     | 1/1   |

| Part No.       | ESPEJO1X3S  |
|----------------|---|
| Description    | PENDANT ES x 3 72W Chrome Glass With Line Effect Oblong |
| Material       | Iron & glass  |
| Lamp holder    | 3xE27 (Max.72W)   |
| Dimensions     | W600 x H325mm   |
| Suspension     | 3000mm PVC cable  |
| Canopy size    | L530 x 25mm   |
| Box Weight     | 2.7kg   |
| Box Dimensions | 18x18x30cm  |
| Carton QTY     | 1/1   |

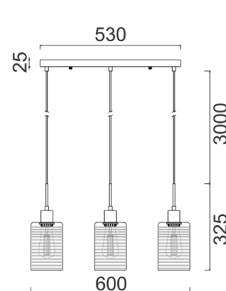
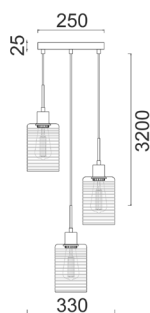
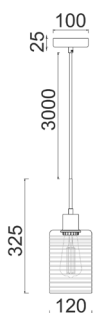
\*Must be installed by a licenced electrician (Installation instructions sheet provided in each product box)



ESPEJO1

ESPEJO1X3S

ESPEJO1X3R





\*Product image shown above has a light source 'on'

## ESPEJO

### Interior Iron & Rose Gold Glass with Line Effect Oblong Pendant Lights

- Input voltage: 220-240V
- Material: iron & glass
- Lamp holder: E27 (Max.72W)
- Globe not included
- Shade interior colour: silver
- For indoor use only
- 1 year replacement warranty

| Part No.       | ESPEJO2  |
|----------------|--|
| Description    | PENDANT ES 72W Rose Gold Glass With Line Effect Oblong |
| Material       | Iron & glass   |
| Lamp holder    | 1xE27 (Max.72W)  |
| Dimensions     | Ø120 x H325mm  |
| Suspension     | 3000mm PVC cable                                       |
| Canopy size    | Ø100 x 25mm  |
| Box Weight     | 0.9kg  |
| Box Dimensions | 18x18x30cm   |
| Carton QTY     | 1/1  |

| Part No.       | ESPEJO2X3R   |
|----------------|--|
| Description    | PENDANT ESx3 72W Rose Gold Glass With Line Effect Oblong |
| Material       | Iron & glass   |
| Lamp holder    | 3xE27 (Max.72W)  |
| Dimensions     | Ø330mm   |
| Suspension     | 3000mm PVC cable   |
| Canopy size    | Ø250 x 25mm  |
| Box Weight     | 2.6kg  |
| Box Dimensions | 31x31x28cm   |
| Carton QTY     | 1/1  |

| Part No.       | ESPEJO2X3S   |
|----------------|--|
| Description    | PENDANT ESx3 72W Rose Gold Glass With Line Effect Oblong |
| Material       | Iron & glass   |
| Lamp holder    | 3xE27 (Max.72W)  |
| Dimensions     | W600 x H325mm  |
| Suspension     | 3000mm PVC cable   |
| Canopy size    | L530 x 25mm  |
| Box Weight     | 2.7kg  |
| Box Dimensions | 55x17x28cm   |
| Carton QTY     | 1/1  |



\*Must be installed by a licenced electrician (Installation instructions sheet provided in each product box)

## ESPEJO

### Interior Iron & Chrome Glass with Dotted Effect Oblong Pendant Lights

- Input voltage: 220-240V
- Material: iron & glass
- Lamp holder: E27 (Max.72W)
- Globe not included
- Shade interior colour: silver
- For indoor use only
- 1 year replacement warranty

| Part No.       | ESPEJO3   |
|----------------|---|
| Description    | PENDANT ES 72W Chrome Glass with Dotted Effect Oblong |
| Material       | Iron & glass  |
| Lamp holder    | 1xE27 (Max.72W HAL)                                   |
| Dimensions     | Ø120 x H325mm   |
| Suspension     | 3000mm PVC cable                                      |
| Canopy size    | Ø100 x 25mm   |
| Box Weight     | 0.9kg   |
| Box Dimensions | 18x18x30cm  |
| Carton QTY     | 1/1   |

| Part No.       | ESPEJO3X3R  |
|----------------|---|
| Description    | PENDANT ES x 3 72W Chrome Glass with Dotted Effect Oblong |
| Material       | Iron & glass  |
| Lamp holder    | 3xE27 (Max.72W HAL)                                       |
| Dimensions     | Ø330mm  |
| Suspension     | 3000mm PVC cable  |
| Canopy size    | Ø250 x 25mm   |
| Box Weight     | 2.6kg   |
| Box Dimensions | 31x31x28cm  |
| Carton QTY     | 1/1   |

| Part No.       | ESPEJO3X3S  |
|----------------|---|
| Description    | PENDANT ES x 3 72W Chrome Glass with Dotted Effect Oblong |
| Material       | Iron & glass  |
| Lamp holder    | 3xE27 (Max.72W HAL)                                       |
| Dimensions     | W600 x H325mm   |
| Suspension     | 3000mm PVC cable  |
| Canopy size    | L530 x 25mm   |
| Box Weight     | 2.7kg   |
| Box Dimensions | 55x17x28cm  |
| Carton QTY     | 1/1   |

\*Must be installed by a licenced electrician (Installation instructions sheet provided in each product box)



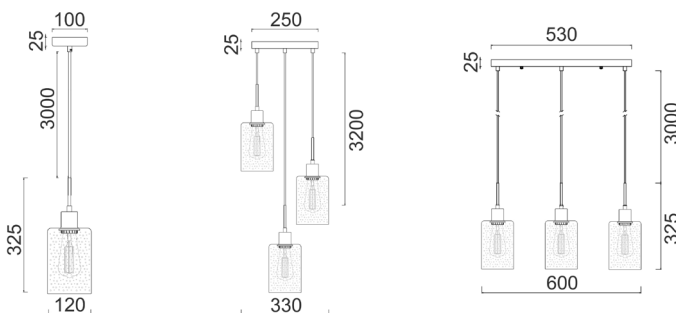
\*Product image shown above has a light source 'on'



ESPEJO3

ESPEJO3X3R

ESPEJO3X3S







\*Product image shown above has a light source 'on'

## ESPEJO

### Interior Iron & Rose Gold Glass with Dotted Effect Oblong Pendant Lights

- Input voltage: 220-240V
- Material: iron & glass
- Lamp holder: E27 (Max.72W)
- Globe not included
- Shade interior colour: silver
- For indoor use only
- 1 year replacement warranty

| Part No.       | ESPEJO4   |
|----------------|---|
| Description    | PENDANT ES 72W Copper Glass with Dotted Effect Oblong |
| Material       | Iron & glass  |
| Lamp holder    | 1xE27 (Max.72W)                                       |
| Dimensions     | Ø120 x H325mm   |
| Suspension     | 3000mm PVC cable                                      |
| Canopy size    | Ø100 x 25mm   |
| Box Weight     | 0.9kg   |
| Box Dimensions | 18x18x30cm  |
| Carton QTY     | 1/1   |

| Part No.       | ESPEJO4X3R  |
|----------------|---|
| Description    | PENDANT ES x 3 72W Copper Glass with Dotted Effect Oblong |
| Material       | Iron & glass  |
| Lamp holder    | 3xE27 (Max.72W)   |
| Dimensions     | Ø330mm  |
| Suspension     | 3000mm PVC cable  |
| Canopy size    | Ø250 x 25mm   |
| Box Weight     | 2.6kg   |
| Box Dimensions | 31x31x28cm  |
| Carton QTY     | 1/1   |

| Part No.       | ESPEJO4X3S  |
|----------------|---|
| Description    | PENDANT ES x 3 72W Copper Glass with Dotted Effect Oblong |
| Material       | Iron & glass  |
| Lamp holder    | 3xE27 (Max.72W)   |
| Dimensions     | W600 x H325mm   |
| Suspension     | 3000mm PVC cable  |
| Canopy size    | L530 x 25mm   |
| Box Weight     | 2.7kg   |
| Box Dimensions | 55x17x28cm  |
| Carton QTY     | 1/1   |

\*Must be installed by a licenced electrician (Installation instructions sheet provided in each product box)



ESPEJO4

ESPEJO4X3R

ESPEJO4X3S

