

## Cable Connectors CONN SERIES



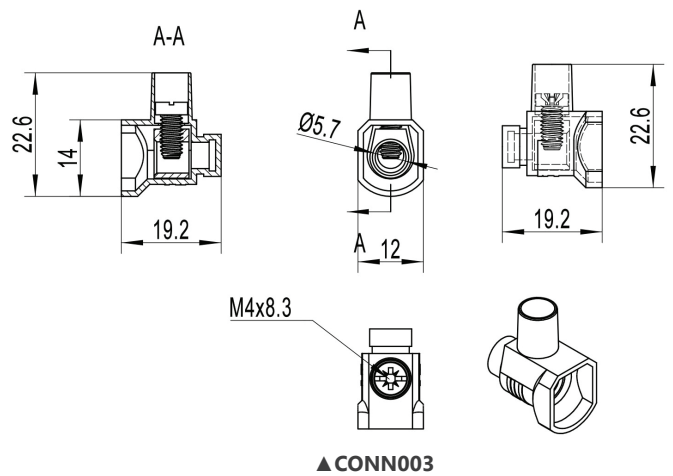
▲ CONN003



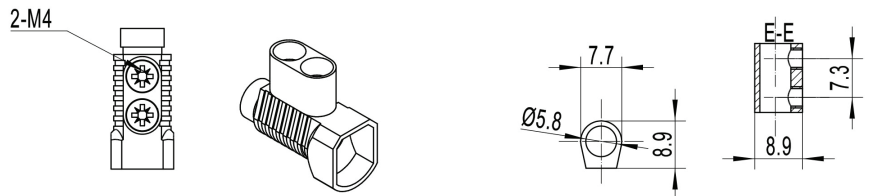
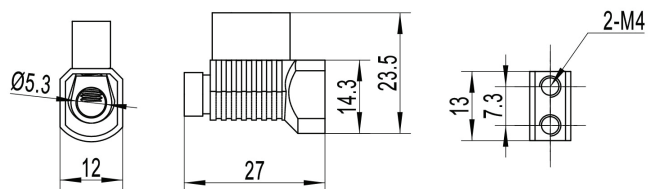
▲ CONN004

### PRODUCT FEATURES

- Single or double cable connectors
- Construction material: Transparent PC
- Screw material: copper
- Wiring hole: 6mm
- Max.current: 32A
- IP rating: IP20



▲ CONN003



▲ CONN004

CODE	DESCRIPTIONS	MAX. CURRENT	IP RATING	WIRING HOLE (mm)	LENGTH (mm)	WIDTH (mm)	HEIGHT (mm)	CARTON QTY
CONN003	SINGLE CONNECTOR CABLE 6MM <sup>2</sup>	32A	IP20	1x6mm <sup>2</sup>	19.2	12	22.6	1/2500
CONN004	DOUBLE CONNECTOR CABLE 6MM <sup>2</sup>	32A	IP20	2x6mm <sup>2</sup>	27	12	23.5	1/1250

Brochure updated on 29.05.2017