

## Power and CCT Selectable LED High Bay

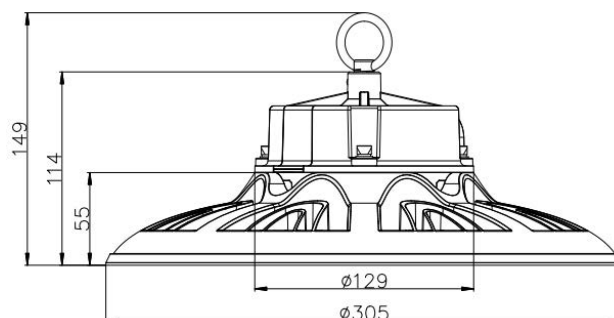
### Product Features

- High efficiency 150lm/W
- Made with Dual color SMD LED chips
- Power and CCT adjustable
- Waterproof IP65
- With separate driver and Australian standard plug
- Options: milky reflector aluminum reflector SUS304 chain, U-Bracket
- Microwave Sensor with ZHAGA Socket



### Technical Specification

Model	KD008-BKTCTP200-100
Watts	200W/150W/100W(Power Adjustable)
Input Voltage	AC220-240V 50/60Hz
Colour Temp.	3000K/4000K/6000K(CCT Selectable)
Lumens Output	30000lm @200W, 23250lm@150W, 16000lm@100W(±5%)
CRI	Ra>80
Beam Angle	120°
Size	305*149mm
IP Grade	IP 65
Dimmable	YES
Housing Colour	Black
Carton Size	345*345*188mm 1pcs/CTN

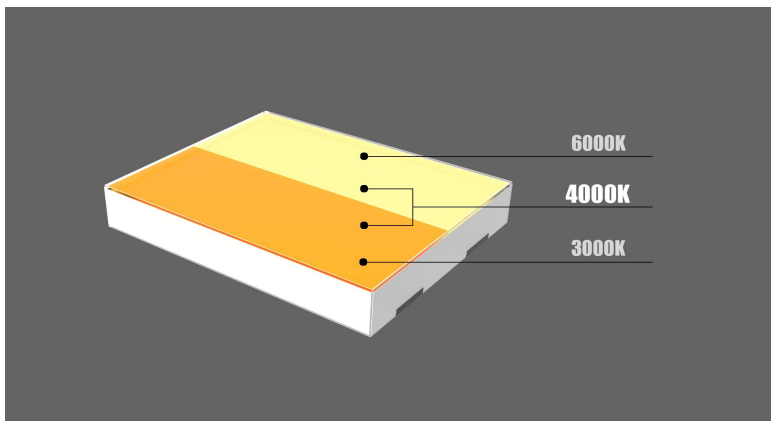


\* The information in this datasheet may be changed by 3A Lighting at any time without prior notice.

## Power and CCT Selectable LED High Bay

### Dual Color LEDs Lamp

The half of LEDs chip CCT is 3000K, and another half is 6000K, when they are working together, the CCT will become 4000K after mixing.



### Spare Parts



Milky Reflector



Aluminum Reflector



Microwave Sensor  
MC079D 99 Z  
Installation Height: 12m(15m Max)



U Bracket



1Meter 304 Safety  
Chain



Remote controller  
MH10