

Power and CCT Selectable LED High Bay

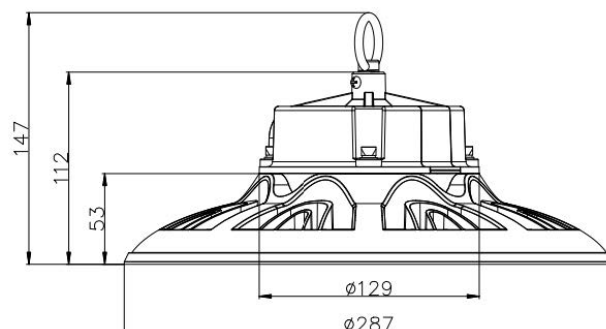
Product Features

- High efficiency 150lm/W
- Made with Dual color SMD LED chips
- Power and CCT adjustable
- Waterproof IP65
- With separate driver and Australian standard plug
- Options: milky reflector aluminum reflector SUS304 chain, U-Bracket



Technical Specification

Model	KD008-BKTCTP150-100
Watts	150W/120W/100W(Power Adjustable)
Input Voltage	AC220-240V 50/60Hz
Colour Temp.	3000K/4000K/6000K(CCT Selectable)
Lumens Output	22500lm@150W, 18600lm@120W, 16000lm@100W(±5%)
CRI	Ra>80
Beam Angle	120°
Size	287*147mm
IP Grade	IP 65
Dimmable	YES
Housing Colour	Black
Carton Size	327*327*187mm 1pcs/CTN

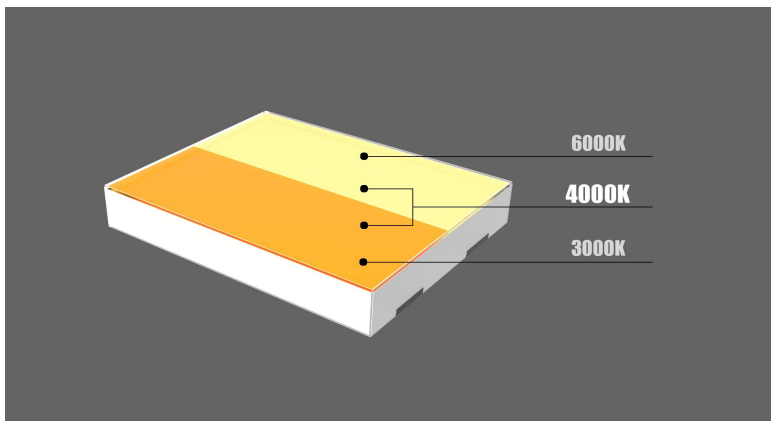


* The information in this datasheet may be changed by 3A Lighting at any time without prior notice.

Power and CCT Selectable LED High Bay

Dual Color LEDs Lamp

The half of LEDs chip CCT is 3000K, and another half is 6000K, when they are working together, the CCT will become 4000K after mixing.



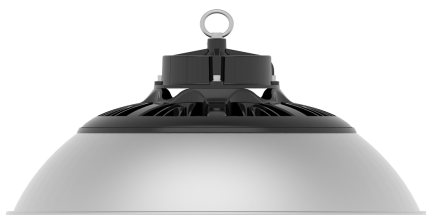
Spare Parts



Milky Reflector



U Bracket



Aluminum Reflector



1Meter 304 Safety Chain