

LED Downlight  
DL191 / DL192





## Introduction

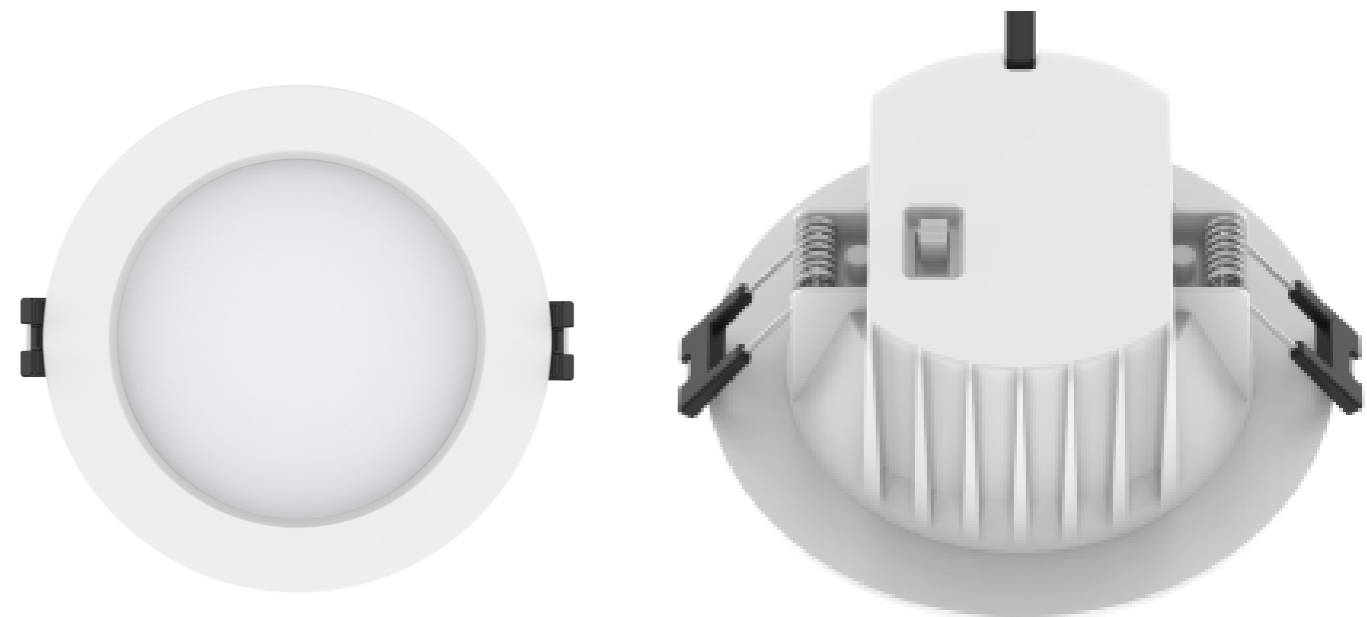
SMD LED Down light adopts high lumen SMD LED, PC diffuser with even light output. Plastic coated aluminum housing with internal driver design; it is economical and practical downlight version. Dimmable driver shares great popularity by the excellent dimming effect.

## Features

- Type A is concave and Type B is flat
- IP54 waterproof in front.
- Interchangeable CCT(3000/4000/5700k) with slide switch.
- Triac dimming.
- Compact design, built-in driver.

## Application Areas

It is designed for general lighting applications in office, supermarket, shop, school, hotel, etc. It is also widely used for public areas, such as stairway, lobby, reception, corridors etc.



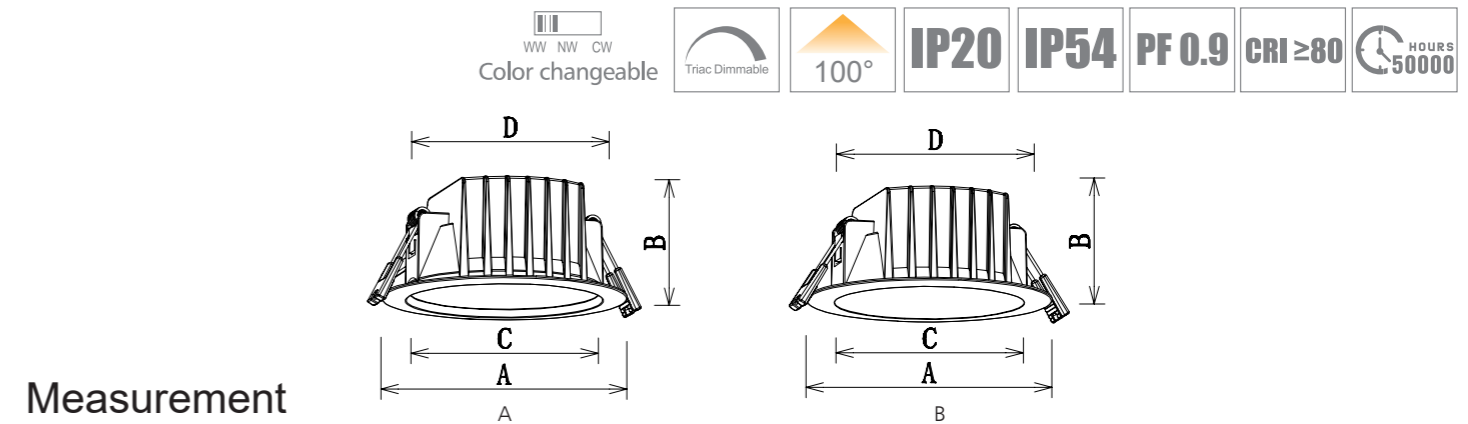


concave  
DL192

flat  
DL191

## Technical Data Sheet

Code No.	DL192-3-10W	DL191-3-10W	
Dimension(mm)	Ø115*50.5	Ø115*44.5	
Cutout (mm)	Ø90-95		
Watt(W)	10W		
Rated Input Voltage(V)	AC230V		
Input Voltage(V)	AC200-240V		
LED Module Input	-		
Light Source	2835 SMD		
SDCM	<6		
CCT(K)	1-CCT: 3000K/4000K/5000K/5700K    3-CCT: 3000K + 4000K + 5700K		
CCT Selection DIP Switch	YES		
Luminous Flux (lm) ±5%	Non-DIM	1-CCT	-
	DIM	1-CCT	660-720
	Non-DIM	3-CCT	-
	DIM	3-CCT	660-800
CRI	≥80		
Beam Angle (°)	100°		
UGR	-		
LED Driver	Built-in		
Dimming Option	Triac		
Sensor	-		
Emergency Kits	-		
Electrical Class	Class II		
Ingress Protection (IP Rating)	IP20 (for other part) / IP54 (only for the LED cover)		
Impact Resistance (IK Rating)	-		
Product Finishing(Base)	White RAL 9016		
Materials of Optics	PC		
Materials of Housing	PA6		
Lifetime (hr)	50,000h		
Glow wire test (°C)	750°C		
Operating Temp. (°C)	-20°C ~40°C		
Storage Temp. (°C)	-20°C ~65°C		
Installation	Recessed		



## Measurement

Code	Dimension(mm)				Size(mm)	Product Weight (Kg)		Package weight (Kg)		Carton Size(cm)	Qty/CTN	20GP (pcs)	40HQ (pcs)
	A	B	C	D		N.W/PC	G.W/PC	N.W/CTN	G.W/CTN				
DL192-3-10W	115	50.5	81	86	106*48	0.18	0.23	8.2	12.3	39.5*39.5*31	45	22050	52200
DL191-3-10W	115	44.5	81	86	106*44.5	0.16	0.21	7.2	11.5	39.5*39.5*31	45	22050	52200

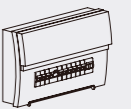
## Driver Datasheet (Triac Dimmable)

Total load wattage		10W
Output	Output Voltage range	DC55-65V
	Rated output current	115mA
	Line Regulation	±5%
	Setup, Rise Time	<0.5S
	Flickering Index	-
Input	Input Voltage	AC200-240V
	Rated Input Voltage(V)	AC230V
	Frequency	50HZ
	Input Current	0.05A
	Rated Input Current	0.04A
	Power Factor	≥0.9
	THD	-
	Efficiency	≥80%
Protection	No load wattage	<0.5W
	Short circuit protection	PASS
	Over voltage protection	PASS
Safety & EMC	Over temperature protection	PASS
	Withstand voltage	-
	Isolation Resistance	-
	Surge	IEC/EN61000-4-5( P<25W; L-N:500V)
	EMC Emission	EN55015, EN61000-3-2
EMC Immunity	EN61000-4-2,3,4,5,6,8,11; EN61547	

## Installation Procedure

### WARNING

1. Switch off power supply before installation / maintenance.
2. Switch on only after complete installation and examination of the circuit.
3. Professional electrician for installation and maintenance only.
4. Input wire diameter ≥0.75mm<sup>2</sup>;
5. Product modification and improper installation are not valid for warranty!
6. Light source of the luminaire is non-user-replaceable, if it is damaged, the luminaire shall be destroyed.
7. Warning-risk of overheating or fire if the clearance distances are compromised!



**CAUTION**  
Risk of electric shock

# Downlight with plug

