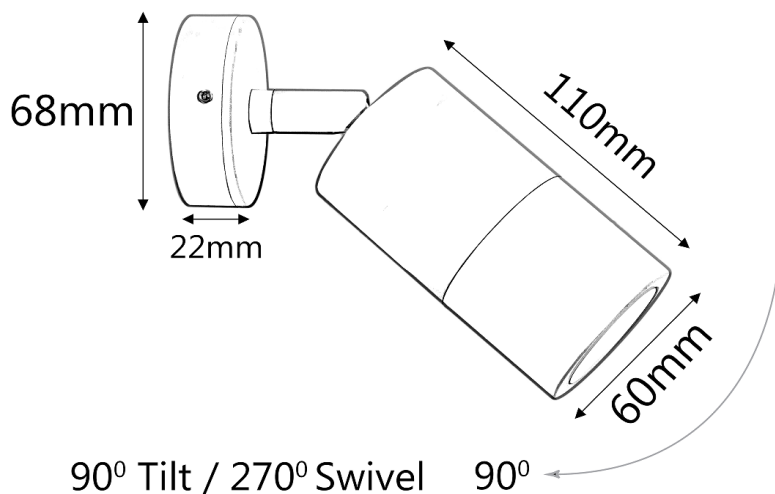


Single Adjustable Pillar Wall Spot Light

- 316 Stainless steel body
- Tempered glass diffuser
- 240V AC 50HZ
- GU10 35W MAX
- IP65



Model	3A-2133
Material	316 Stainless steel body
Finish Color	Stainless steel
Input Voltage	AC 220-240V,50Hz
Lamp Holder	GU10,35W MAX
Size	110*60*85mm
Carton Size	10pcs/CTN
IP Grade	IP 65



* The information in this datasheet may be changed by 3A Lighting at any time without prior notice.