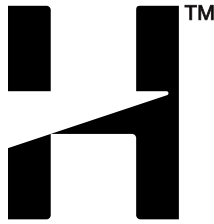
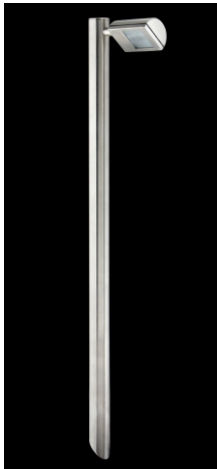
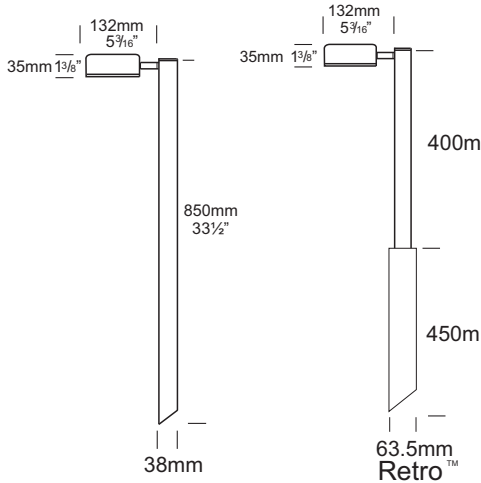


Border Lite PURE LED

Cat. No. BL/L



PURE LED

Pure Performance

The Border Lite is ideal for path lighting giving a wide spread of light with no upward projection. This luminaire has a fully adjustable arm allowing 360 degree rotation and 0 - 90 degree elevation.

The Hunza PURE LED system uses Cree XTE chips for maximum performance and long life. Power supply options include a choice of integral 12 or 120/240 volt (Retro) drivers which are mounted in the Pole. There is an external remote driver option also. The PURE LED system incorporates HUNZA's Plug-and-Play system for easy replacement of either the LED engine or integral driver in the field.

This luminaire is equipped with Hunza's Anti-Syphon™ (not Retro luminaires) system which has been designed to counter the problem of wicking (siphoning) of water through the supply cable into the lamp housing, causing water to condense and dramatically shorten the life of the lamp, lamp holder and luminaire.

Luminaire

BL/L

Driver mA

- S - Series
- D - 12v Integral
- RU - 110v 700mA
- RE - 240v 700mA

Colour Temp

3 - 3000K

Accessories

- CJK - Cable Joint Kit
- SS/G - Super Spike

Material/Finish

- BK - Black
- BZ - Bronze
- GN - Green
- STAR - Silver Star
- WH - White
- WB - Birch
- DG - Dark Grey
- OG - Olive Green
- RG - Beige
- PR - Primrose
- Cop - Copper
- SS - 316 Stainless

Ordering Example: BS/L D 3 CJK BK

HUNZA™ PURE OUTDOOR LIGHTING

HUNZA FACTORY
130 Felton Mathew Ave
Glen Innes
Auckland 1072
New Zealand

Ph: 64-9-528 9471
Fax: 64-9-528 9361
hunza@hunza.co.nz
www.hunza.co.nz

INTERNATIONAL CONTACTS:
www.hunza.co.nz/contacts.php

Specifications may change without notice.
Manufactured in New Zealand.
© 2012 Hunza Holdings Ltd.

Ver 1.5

Luminaire Construction

Head:

Cast from either 316 Stainless Steel, LG2 Bronze or virgin high corrosion resistant CC401 low copper aluminium alloy, with chromate substrate and high UV resistant polyester powder coat.

Colours Black, Bronze, Green, Silver Star, White, Birch, Dark Green, Olive Green, Beige, Primrose.

Poles: Aluminium, Copper, 316 Stainless Steel 38mm (1½") x 850mm (33½") tube.

Retro™: Pole - 38mm (1½") x 410mm (16") tube.

Transformer Pole: 63.5mm (2½") x 440mm (17½").

Mounting

Pole 850mm (33½") directly mounted into the earth. Retro™ - set in concrete.

Features

Cable:

Water resistant rubber with HUNZA™ Anti-Syphon™ water barrier system.

Lens:

3mm Extra clear low iron shatter resistant glass.

Lifetime Warranty.

Gaskets:

Silicone, 150°C (302°F).

LED:

Cree XTE Plug and Play, field replaceable PCB board.

Lumen Output: 110 @ 350mA
180 @ 700mA

Lumens Per watt: 67 @ 1 watt
57 @ 2 watts

Warm White CRI: 85+

Driver:

Integral Plug and Play, field replaceable and dimable(Retro only).

Accessories:

Cable Joint Kit (Cat. CJK150).

Super Spike - (Cat. SS-G)

Note: The Hunza Super Spike is not compatible with the 38mm pole.

Swivels: Aluminium and Solid Bronze luminaires - 360° rotation and 0 - 90° elevation, solid brass with anti rust spring.

Stainless Steel luminaires - 360° rotation and 0 - 90° elevation, full stainless steel construction.

Standards

IP56/IP66  UL1838

Luminaire Weight

12 volt:

Alum .800kg (1lb 8oz)

SS 1.6kg (3lb 8oz)

COP 1.7kg (3lb 12oz)

Retro™:

Alum 2.00kg (4lb 6oz)

SS 3.15kg (6lb 15oz)

COP 3.4kg (7lb 8oz)

PowerSupply

HUNZA™ Inground or Wall Mount Transformer for use with HUNZA 12ac/dc internal driver.

USA and Canada:

Wall Mount Transformer

For use with HUNZA 12ac/dc HUNZA™ internal driver.

12 volt ac/dc Driver

HUNZA Driver: Plug and Play Driver
Input: 12 vac / vdc 4watt.

Output: 3.0 vF 350mA

3.0 vF 700mA

Retro 110/240 volt Driver

HUNZA Driver: Plug and Play Driver
Input: 120 / 240 vac 7watt.

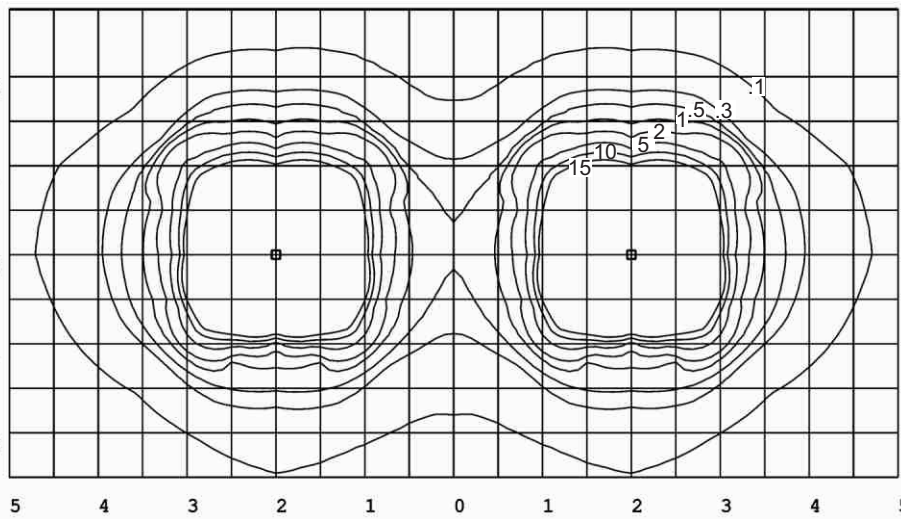
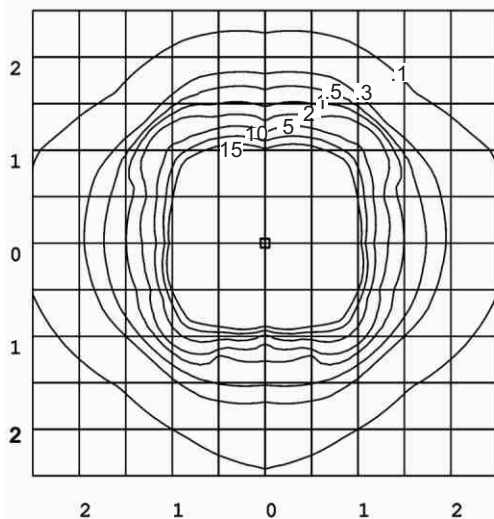
Output: 3 vF 700mA

0 - 10 volt dimming

Light Source

LED - CREE XTE 1 - 2 watt
Plug and play board.

Border Lite LED driven at 700mA, lens Height 600mm (24")



HUNZA™ PURE
OUTDOOR
LIGHTING

HUNZA FACTORY
130 Felton Mathew Ave
Glen Innes
Auckland 1072
New Zealand

Ph: 64-9-528 9471
Fax: 64-9-528 9361
hunza@hunza.co.nz
www.hunza.co.nz

INTERNATIONAL CONTACTS:
www.hunza.co.nz/contacts.php

Specifications may change without notice.
Manufactured in New Zealand.
© 2012 Hunza Holdings Ltd.

Ver 1.5