

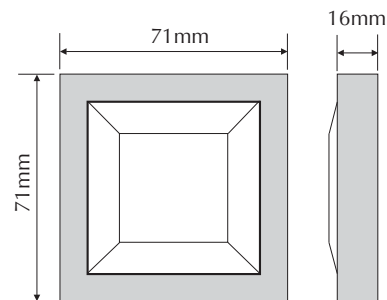
LED212-B



Order Code: **20670**

Product Code: **LED212-B**

Colour: **Blue**  465nm



Description: A smart and contemporary surface mounted wall light designed for subtle low level floor/path lighting or under shelf lighting .

Data: Surface mounted small square wall or shelf light, cast aluminium frame and body, textured silver powder coated, opal diffuser, 5 x SMD LED, 0.5W total output, 14lm output, IP65 rated, 12V DC input.

Fitting Size: Front face: (L) 71mm x (H) 71mm x (D) 16mm

Additional: The above fitting requires the use of a 12V DC Constant Voltage LED driver located in the power supply section. The above wall light is non dimmable.

