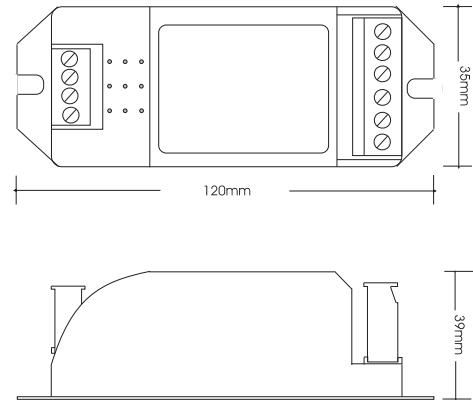


EVCHAM16



Order Code: **20125**

Product Code: **EVCHAM16 - Constant Current 700mA**

Description: Constant Current 700mA data repeater designed to suit our EVCHAM13 Wall controller.

Data: The EVCHAM16 is an intelligent data repeater specially designed for Constant Current 700mA applications. The data repeater has three channels which are capable of loads up to 33.6W per channel. Constant Voltage input Voltage for 12V to 48V DC.

Specification: 12 to 48V DC input 700mA Constant Current output x 3 channels, 1 – 12pcs 3W LEDs per channel.

Size: (L) 120mm x (W) 35mm x (H) 39mm

Requires: Constant Voltage 12-24V DC LED driver located in the power supply section of the catalogue.

12-24V DC
input

1-12 LEDs
per channel

700mA data
repeater

Constant Current
output