



TRI GEM + S9842MCS - 10W

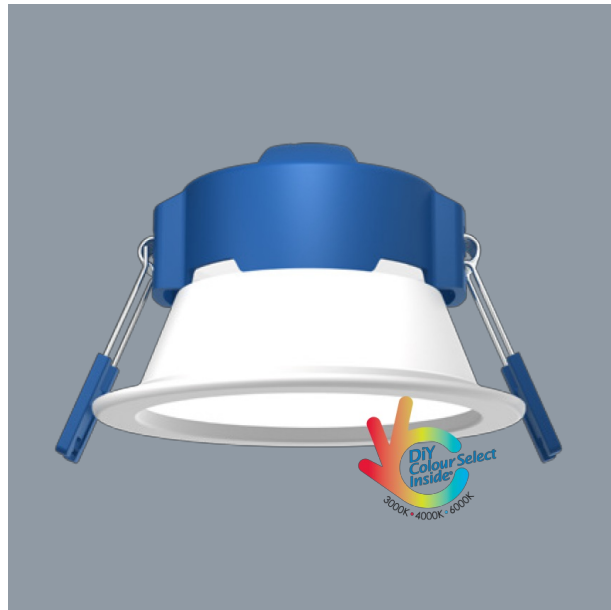
Dimmable IP44 LED downlight with DIY selectable colour temperature and integral DIP switch

Application

Ideal for any residential or commercial interior space

Design Specifications

- Easy DIY selectable colour temperature with the flick of a switch, no need to access the fixture when in auto mode, when auto mode is selected via the onboard DIP switch, full PIXIE functionality applies, CCT can be selected manually or via PIXIE
- Durable aluminium body profile, white trim face, IP44 rated
- 10 watt integral control gear with smooth dimming functionality
- IC-4 rated with a robust opal polycarbonate diffuser
- Double insulation



Performance

Dimmable - **YES**

Dimmer Type - **Trailing edge**

Technical Specification

Model No.	Input Voltage (V/AC)	Power (W)	Lumens (lm)	CCT (K)	Beam Angle (°)	Dimmable
S9842MCS/WH	240	10	800/900/850	3000/4000/5700	90	YES

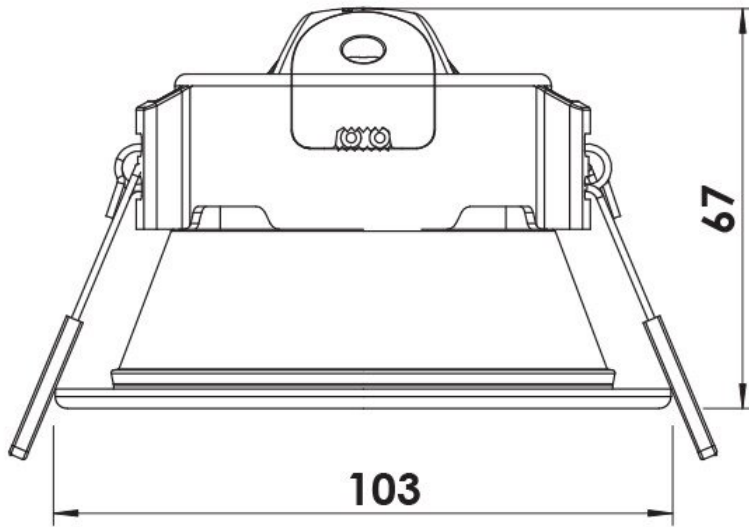
Technical Specification

Model No.	CRI	Cut Out (mm)	Diameter (mm)	Dim (mm)
S9842MCS/WH	80	90	103	67(H)

Due to continued product and technology enhancements, data sourced from sal.net.au shall not form part of any contract and or technical performance guarantee unless expressly confirmed in writing by SAL at the time of order. Products are sold in accordance with [SAL Terms and Conditions of sale](#) and all images shown are for illustration purposes only and may vary from the actual colour or finish. Unless specifically stated, all IP ratings nominated for Interior products are from "below the ceiling".



Dimensions



Photometric Data

Unit: cd C0/C180 _____ C90/C270 _____

S9842MCS at 3000K

