



TRANSLATOR CONTROL PC100T/R/BTAS

Australian approved relay control

Application

Designed to accept a dry contact signal and translate the signal to control PIXIE products

Design Specifications

- Compact design profile
- Double insulation
- Accepts voltage-free (dry contact) signals, including Latch and Pulse (momentary) signals.
- Suitable for integration with other systems such as AV, sensors, or security.



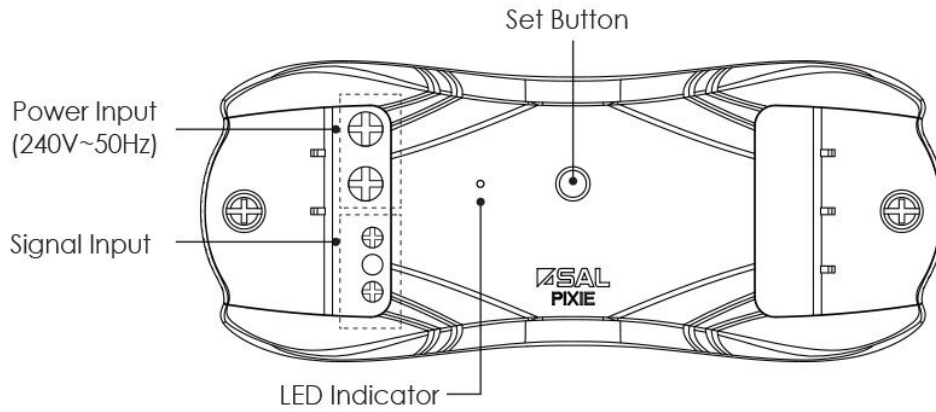
Technical Specification

Model No.	Dim (mm)
PC206BS/R/BTAM	110(L) x 40(W) x 26(H)

Due to continued product and technology enhancements, data sourced from sal.net.au shall not form part of any contract and or technical performance guarantee unless expressly confirmed in writing by SAL at the time of order. Products are sold in accordance with [SAL Terms and Conditions of sale](#) and all images shown are for illustration purposes only and may vary from the actual colour or finish. Unless specifically stated, all IP ratings nominated for Interior products are from "below the ceiling".

Dimensions

Buttons and terminals



Wiring diagram

