



SURFACE SOCKET ESS106

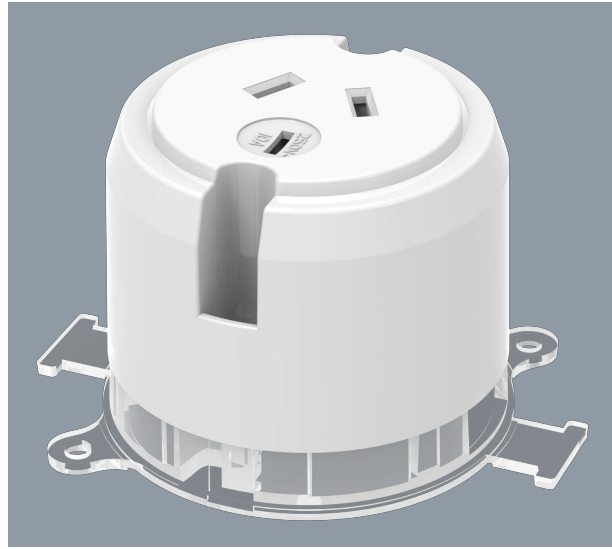
Compact designed surface socket, 250V / 10A rated, compliant to AS/NZS3112:2017

Application

Australian approved electrical accessory, saving installation time and money

Design Specifications

- Compact design to suit a 70mm cut-out
- Australian approved three pin 250V, 10A socket, compliant to AS/NZS3112:2017
- Innovative transparent rear termination inspection cover
- Durable polycarbonate construction
- Designed to suit 1.0mm² to 2.5mm² FLAT twin and earth TPS, for installation by a qualified electrical installer
- Colour white



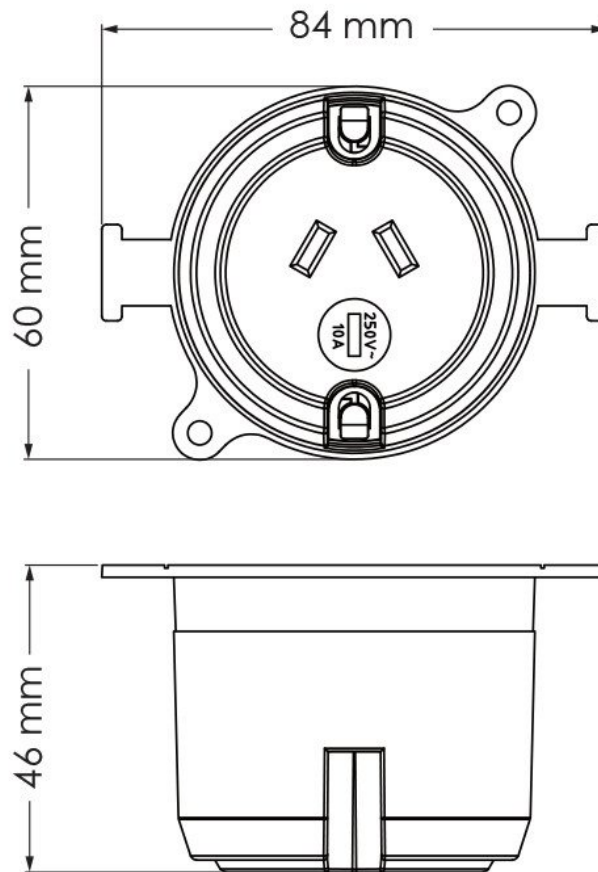
Technical Specification

Model No.	Input Voltage (V/AC)	Dim (mm)	Body Colour
ESS106	250	60(W) x 46(H)	WHITE

Due to continued product and technology enhancements, data sourced from sal.net.au shall not form part of any contract and or technical performance guarantee unless expressly confirmed in writing by SAL at the time of order. Products are sold in accordance with [SAL Terms and Conditions of sale](#) and all images shown are for illustration purposes only and may vary from the actual colour or finish. Unless specifically stated, all IP ratings nominated for Interior products are from "below the ceiling".

Dimensions

Dimensions





Product Images



THE NEW ESS106 IS SMALL IN SIZE BUT BIG ON FEATURES.



For more
information
please
scan me

