



SENSOR SMS761

Daylight harvesting sensor IP20

Application

Innovative recessed daylight harvesting sensor

Design Specifications

- Operating voltage: 1-10V DC
- Note: maximum quantity of connected devices is 30 or a maximum current sink of 50mA
- Dimming range: 1%~100%
- Colour coding of cable: Red+, Black-
- Cable length: 80cm
- Detection angle: 360°

Performance

In Built Sensor - **YES**

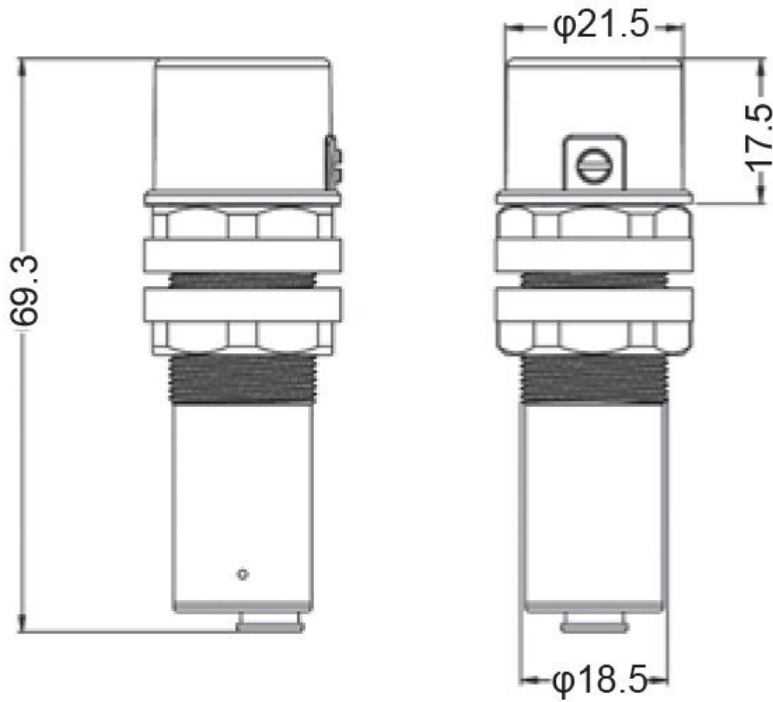


Technical Specification

Model No.	Description	Body Colour
SMS761	DAYLIGHT HARVESTING SENSOR	WHITE

Due to continued product and technology enhancements, data sourced from sal.net.au shall not form part of any contract and or technical performance guarantee unless expressly confirmed in writing by SAL at the time of order. Products are sold in accordance with [SAL Terms and Conditions of sale](#) and all images shown are for illustration purposes only and may vary from the actual colour or finish. Unless specifically stated, all IP ratings nominated for Interior products are from "below the ceiling".

Dimensions



Wiring Diagram

