



LED AR111/3500 - 35W

LED AR111 lamp module

Application

Energy efficient LED lamp solutions

Design Specifications

- Die-cast aluminium body, black body profile
- High output COB LED chip, 3000K, 3300lm
- Specially designed optical lens
- High performance changeable multi-faceted reflector system
- Constant current non-dimmable LED driver required
- Standard beam angles refer Technical Specification table below, AR111/1700: 40° (option), AR111/3500: 20°, 60° (option)



Technical Specification

Model No.	Power (W)	Lumens (lm)	CCT (K)	CRI	Beam Angle (°)	Dimmable
AR111/3500WW	35	3300	3000	80	40	NO

Technical Specification

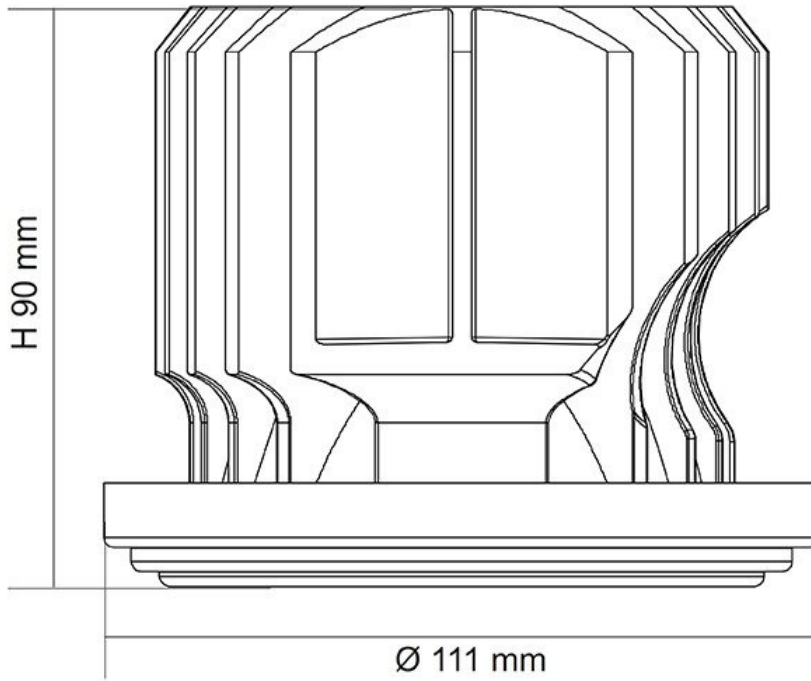
Model No.	Diameter (mm)	Base Type
AR111/3500WW	111	AR111

Due to continued product and technology enhancements, data sourced from sal.net.au shall not form part of any contract and or technical performance guarantee unless expressly confirmed in writing by SAL at the time of order. Products are sold in accordance with [SAL Terms and Conditions of sale](#) and all images shown are for illustration purposes only and may vary from the actual colour or finish. Unless specifically stated, all IP ratings nominated for Interior products are from "below the ceiling".



Dimensions

AR111/3500





Photometric Data

C30/C210 _____

C90/C270 _____

AR111/3500WW LED at 3000K

