



COOLUM PLUS S9168TC - 9W

9 watt dimmable, tilt downlight, with selectable colour temperature

Application

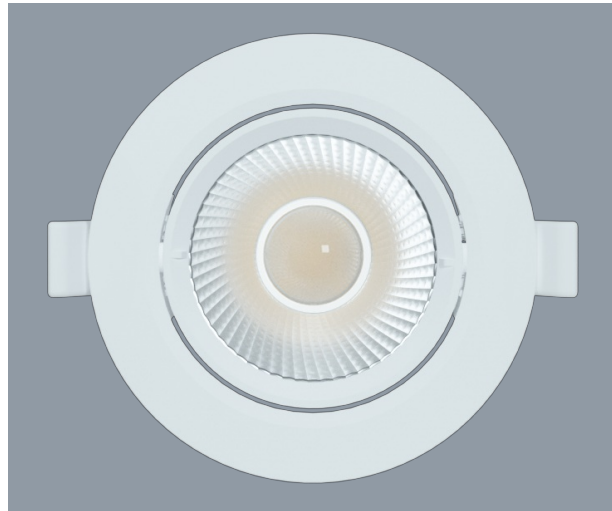
Ideal for residential or commercial interior applications

Design Specifications

- 9 watt integral dimmable driver
- A versatile design supplied with flex and plug fitted for easy installation
- High efficiency SMD LED chips, multi-faceted optical system
- CRI > 80, CCT selectable, beam distribution 40 degree, 30 degree tilt
- Polyamide trim and body colour white or black
- IC - 4 rated

Performance

Dimmable - **YES**



Technical Specification

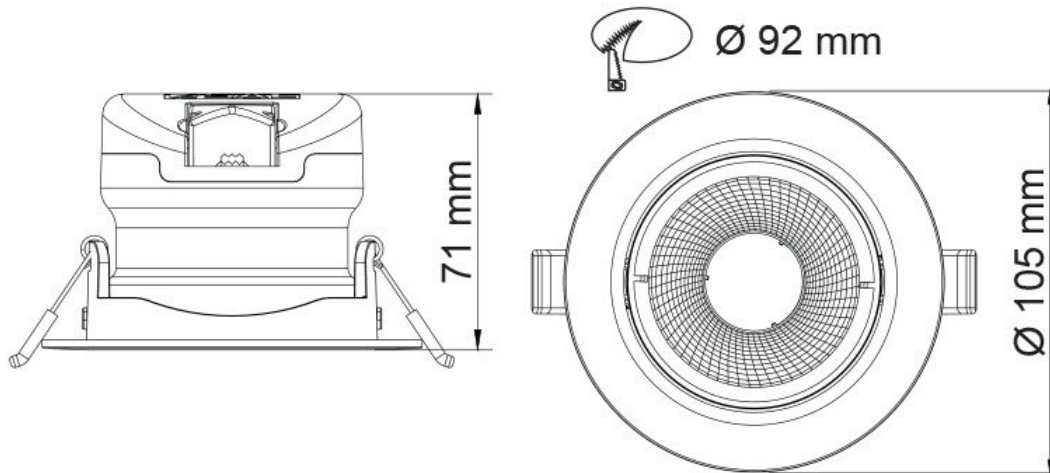
Model No.	Input Voltage (V/AC)	Power (W)	Lumens (lm)	CCT (K)	Beam Angle (°)	Dimmable
S9168TC/WH	240	9	750/830/810	3000/4000/5700	40	YES
S9168TC/BK	240	9	750/830/810	3000/4000/5700	40	YES

Technical Specification

Model No.	CRI	Body Colour	Cut Out (mm)	Diameter (mm)	Dim (mm)
S9168TC/WH	80	WHITE	92	105	105(W) x 71(H)
S9168TC/BK	80	BLACK	92	105	105(W) x 71(H)

Due to continued product and technology enhancements, data sourced from sal.net.au shall not form part of any contract and or technical performance guarantee unless expressly confirmed in writing by SAL at the time of order. Products are sold in accordance with [SAL Terms and Conditions of sale](#) and all images shown are for illustration purposes only and may vary from the actual colour or finish. Unless specifically stated, all IP ratings nominated for Interior products are from "below the ceiling".

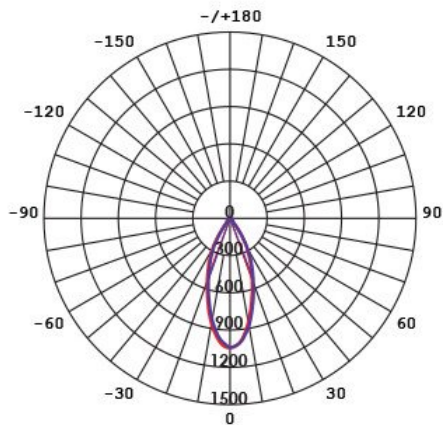
Dimensions



Photometric Data

Unit: cd C0/C180 _____ C90/C270 _____

S9168TC at 3000K





Product Images

