



## CANOPY SHP205 - 75/150W

IP66 LED recessed or surface mount canopy luminaire

### Application

Commerical or industrial canopy applications

### Design Specifications

- Stylish die-cast aluminium body
- Durable white powder coated finish
- High efficiency SMD LED chips, Clear tempered glass diffuser, 120 degree beam
- Built-in constant current non-dimmable LED driver, Symmetrical light distribution, 300 mm 3 core rubber flex
- Suits most traditional Canopy size (SHP205 RC)
- Dimensions (LWH mm) - SHP205/XXRCS 420 X 502 X 60 (7.5Kg). SHP205/XXSM 420 X 420 X 80 (7.5Kg). SHP205/XXRC 600 X 600 X 66 (12kg)



### Technical Specification

Model No.	Description	Input Voltage (V/AC)	Power (W)	Lumens (lm)	CCT (K)	Beam Angle (°)
SHP205/75RCS	LED CANOPY 75W SML REC. 5K WH	240	75	9750	5000	120
SHP205/75SM	LED CANOPY 75W SURFACE 5K WH	240	75	9750	5000	120
SHP205/75RC	LED CANOPY 75W LRG REC. 5K WH	240	75	9750	5000	120
SHP205/110RCS	LED CANOPY 110W SML REC. 5K WH	240	110	14300	5000	120
SHP205/110SM	LED CANOPY 110W SURFACE 5K WH	240	110	14300	5000	120
SHP205/110RC	LED CANOPY 110W LRG REC. 5K WH	240	110	14300	5000	120
SHP205/150RCS	LED CANOPY 150W SML REC. 5K WH	240	150	19500	5000	120
SHP205/150SM	LED CANOPY 150W SURFACE 5K WH	240	150	19500	5000	120
SHP205/150RC	LED CANOPY 150W LRG REC. 5K WH	240	150	19500	5000	120



## Technical Specification

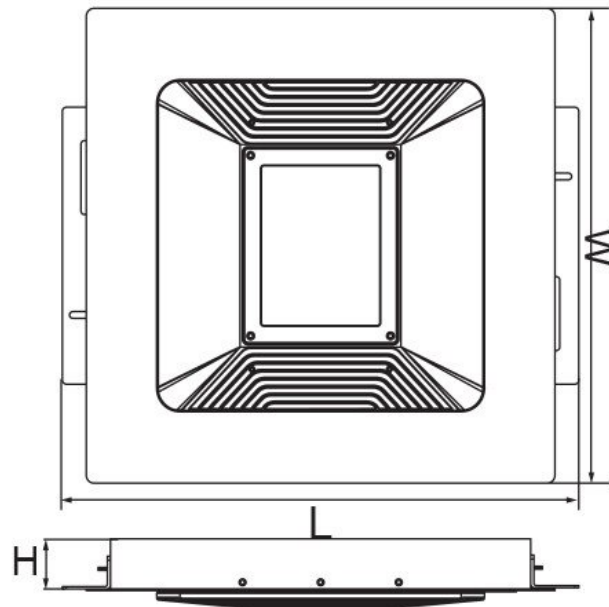
Model No.	CRI	Body Colour	Dim (mm)	Mass (kg)
SHP205/75RCS	75	WHITE	502(L) x 420(W) x 60(H)	7.5
SHP205/75SM	75	WHITE	420(L) x 420(W) x 80(H)	7.5
SHP205/75RC	75	WHITE	600(L) x 600(W) x 66(H)	12
SHP205/110RCS	75	WHITE	502(L) x 420(W) x 60(H)	7.5
SHP205/110SM	75	WHITE	420(L) x 420(W) x 80(H)	7.5
SHP205/110RC	75	WHITE	600(L) x 600(W) x 66(H)	12
SHP205/150RCS	75	WHITE	502(L) x 420(W) x 60(H)	7.5
SHP205/150SM	75	WHITE	420(L) x 420(W) x 80(H)	7.5
SHP205/150RC	75	WHITE	600(L) x 600(W) x 66(H)	12

Due to continued product and technology enhancements, data sourced from sal.net.au shall not form part of any contract and or technical performance guarantee unless expressly confirmed in writing by SAL at the time of order. Products are sold in accordance with [SAL Terms and Conditions of sale](#) and all images shown are for illustration purposes only and may vary from the actual colour or finish. Unless specifically stated, all IP ratings nominated for Interior products are from "below the ceiling".

## Dimensions



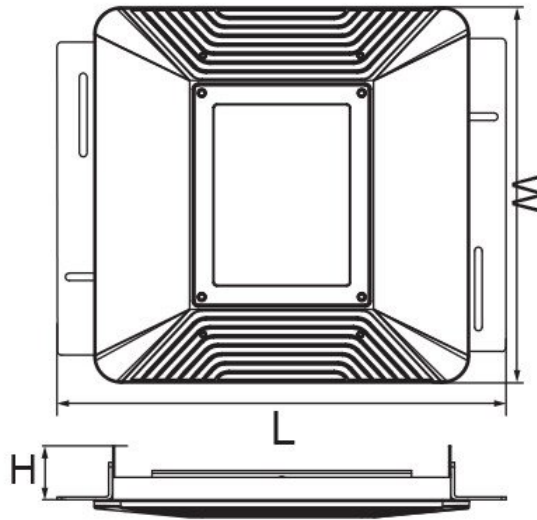
**SHP205 RC**





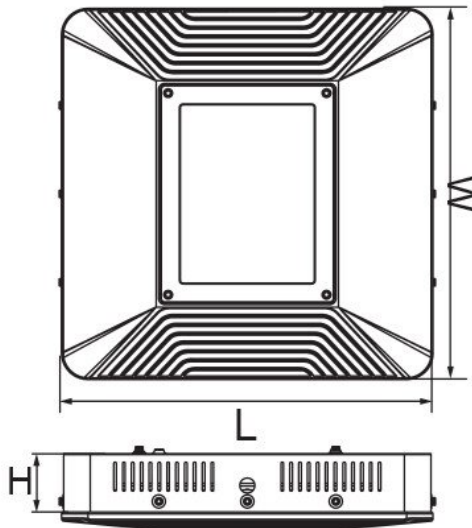
**SHP205 RCS**

## Dimensions



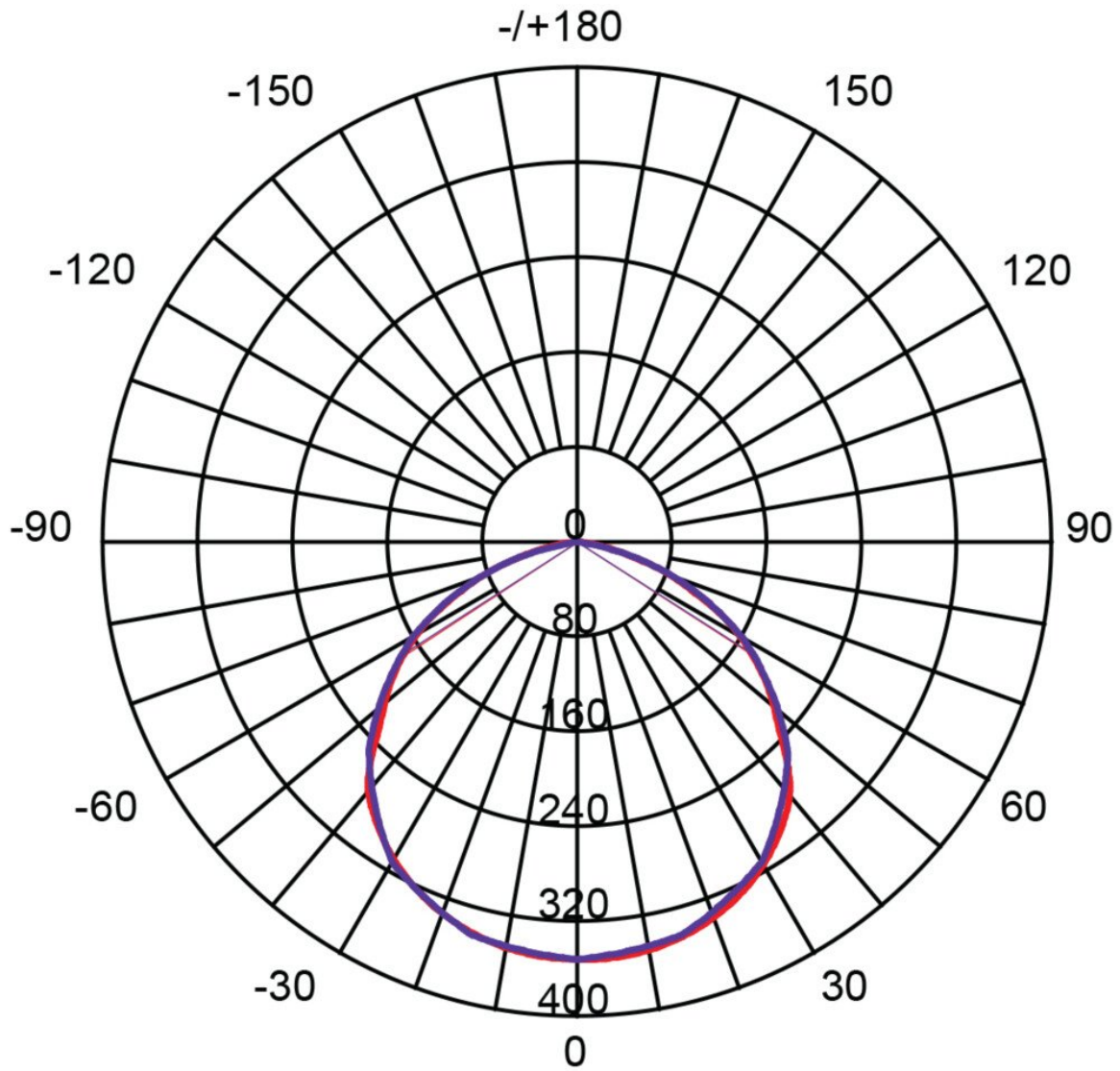


**SHP205 SM**

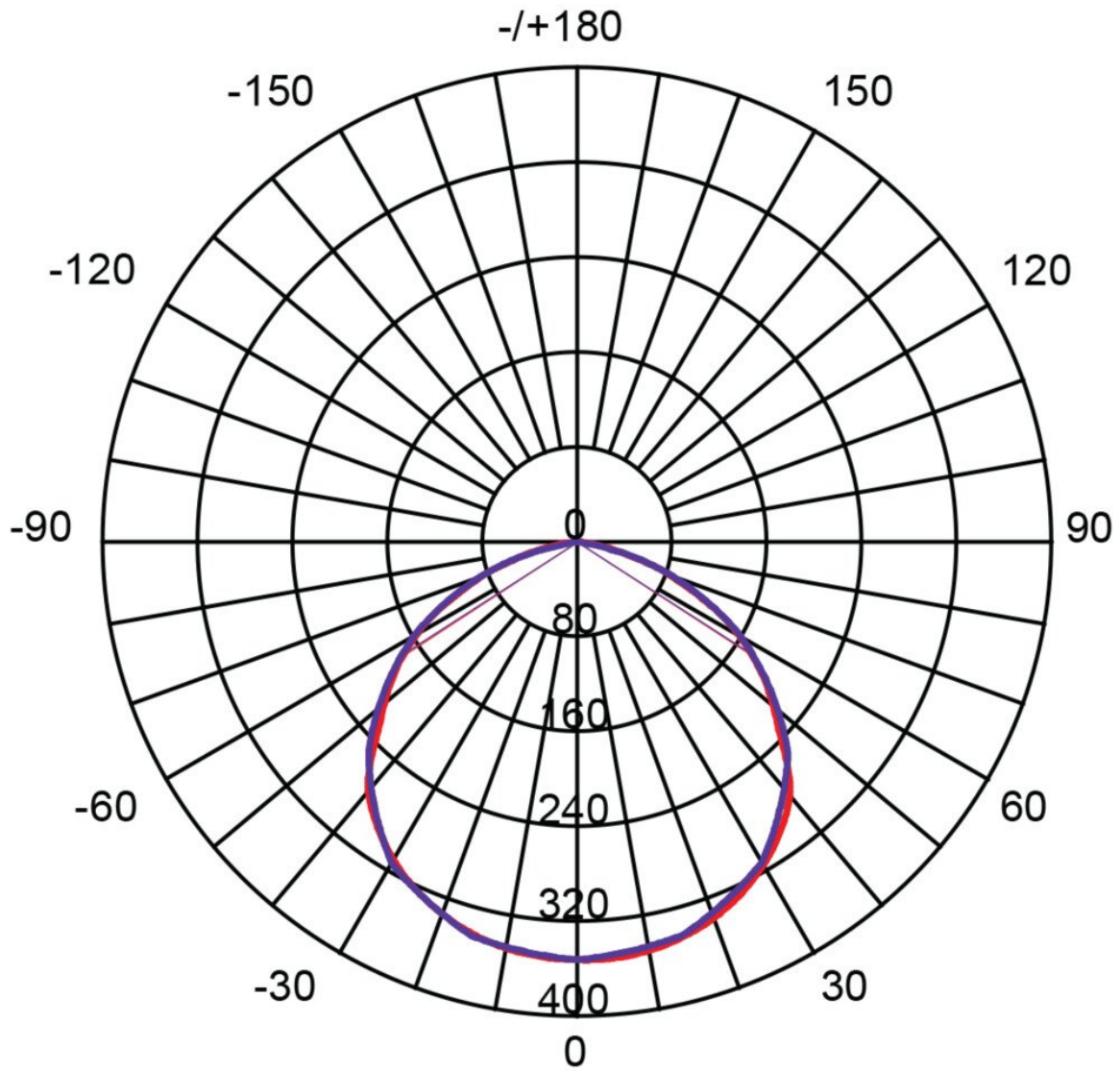


## Photometric Data

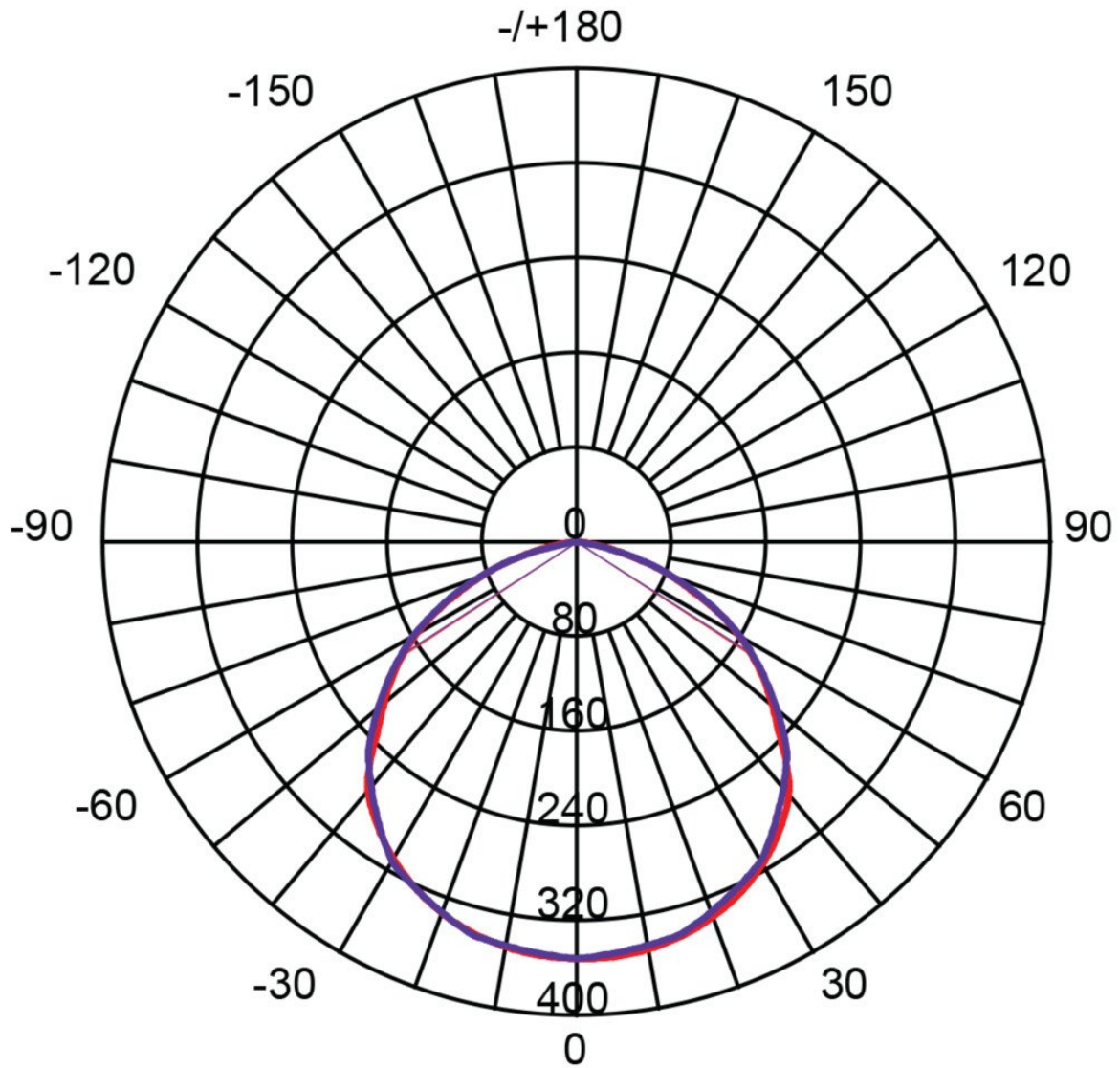
SHP205 - 75



SHP205 - 150



SHP 205 - 110



## Product Images

