



BISMARCK II S9794 - 34/53W

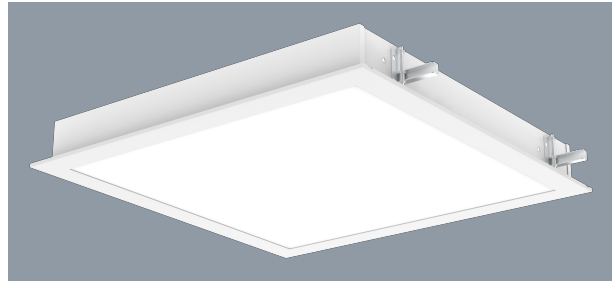
LED IP65 (above and below the ceiling) cleanroom panel

Application

Designed for cleanroom commercial interior spaces

Design Specifications

- Fully enclosed design suitable for plaster troffer frames
- Adjustable flip-out mounting brackets for easy installation and sealing integrity
- Pressed steel frame, with a quality white powder coated finish
- Precision (magnetic) sealed shockproof clear polycarbonate lens, 110 degree beam distribution, UGR<19, CCT 4000K
- Integral control gear with flex and 3 pin plug fitted for faster installation
- Three convenient model sizes to select, in two versatile wattages - 34 or 53 watts.



Technical Specification

| Model No. | Input Voltage (V/AC) | Power (W) | Lumens (lm) | CCT (K) | CRI | Beam Angle (°) |
|-------------|----------------------|-----------|-------------|---------|-----|----------------|
| S9794/306CW | 240 | 34 | 3100 | 4000 | 80 | 110 |
| S9794/606CW | 240 | 53 | 5300 | 4000 | 80 | 110 |
| S9794/312CW | 240 | 53 | 5000 | 4000 | 80 | 110 |

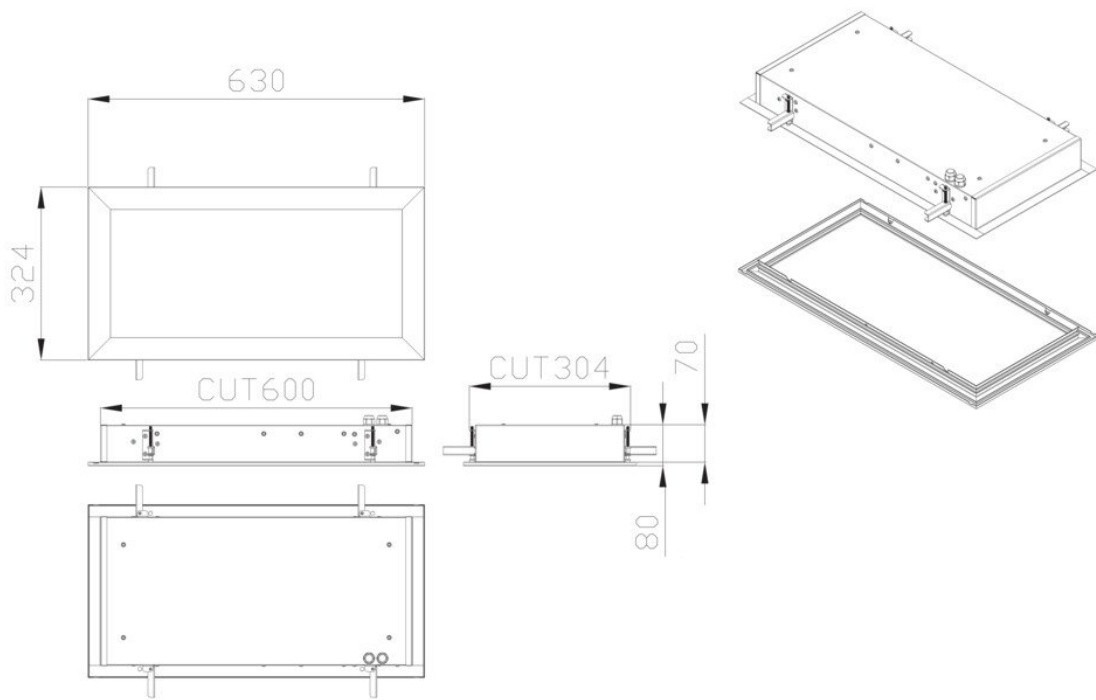
Technical Specification

| Model No. | Body Colour | Dim (mm) |
|-------------|-------------|--------------------------|
| S9794/306CW | WHITE | 630(L) x 324(W) x 80(H) |
| S9794/606CW | WHITE | 620(L) x 620(W) x 80(H) |
| S9794/312CW | WHITE | 1230(L) x 324(W) x 80(H) |

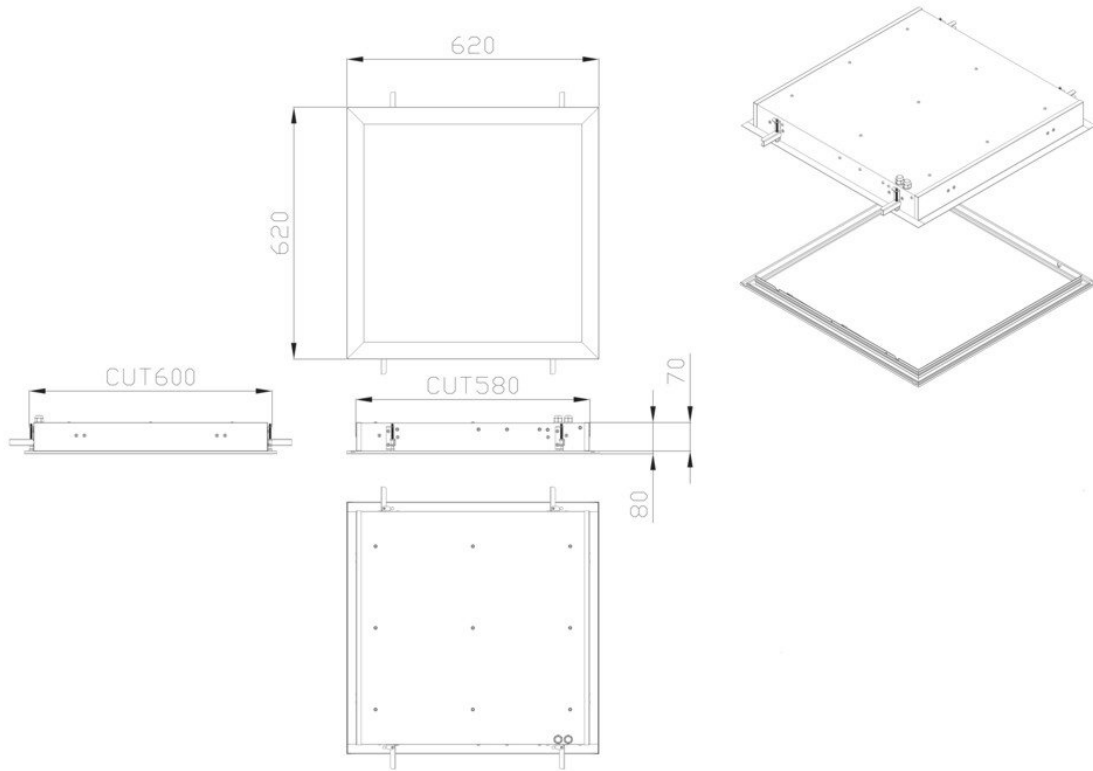
Due to continued product and technology enhancements, data sourced from sal.net.au shall not form part of any contract and or technical performance guarantee unless expressly confirmed in writing by SAL at the time of order. Products are sold in accordance with SAL Terms and Conditions of sale and all images shown are for illustration purposes only and may vary from the actual colour or finish. Unless specifically stated, all IP ratings nominated for Interior products are from "below the ceiling".

Dimensions

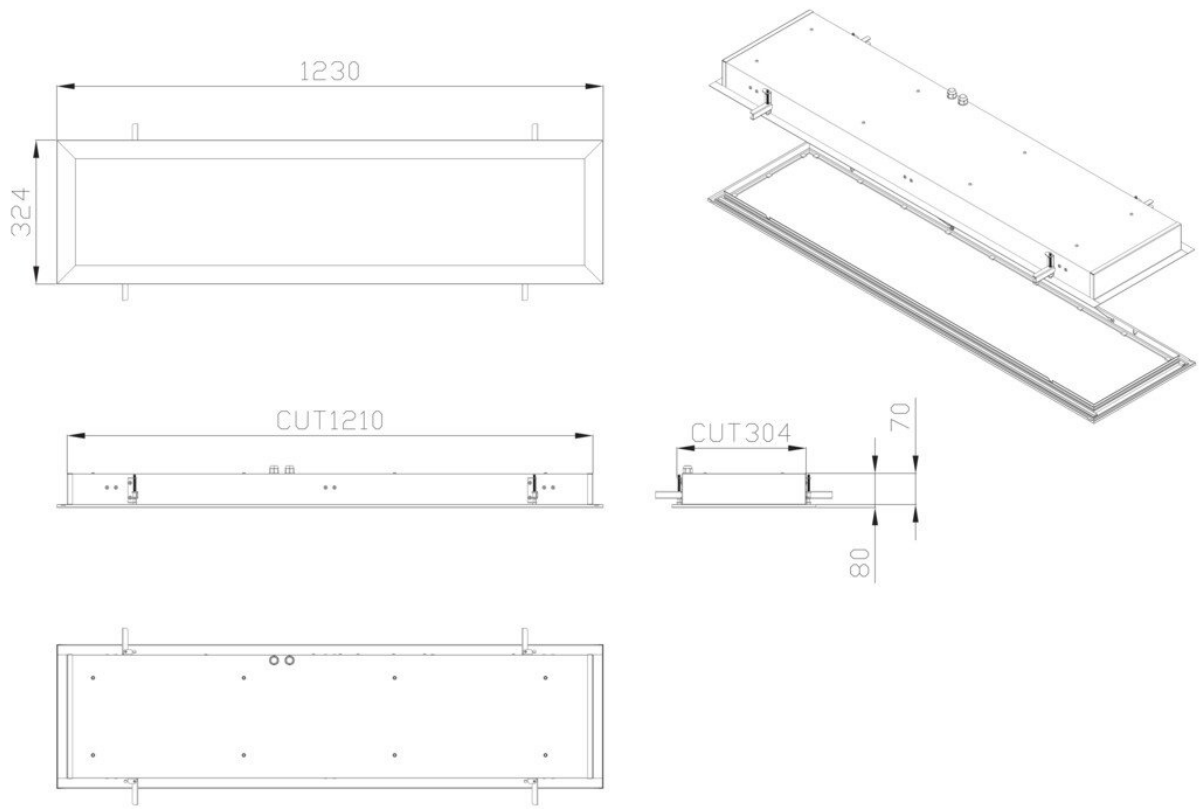
S9794-306



S9794-606

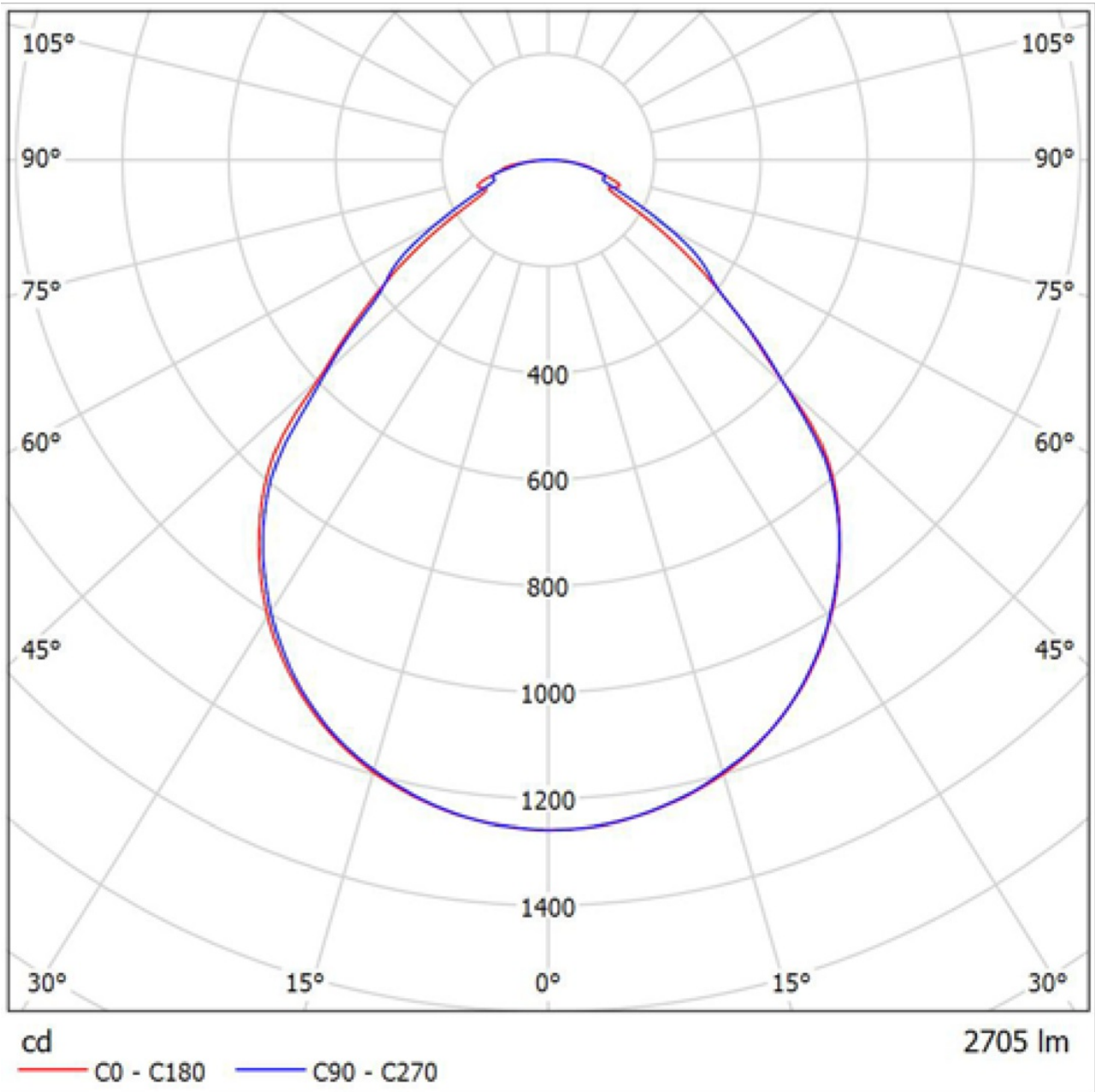


S9794-312

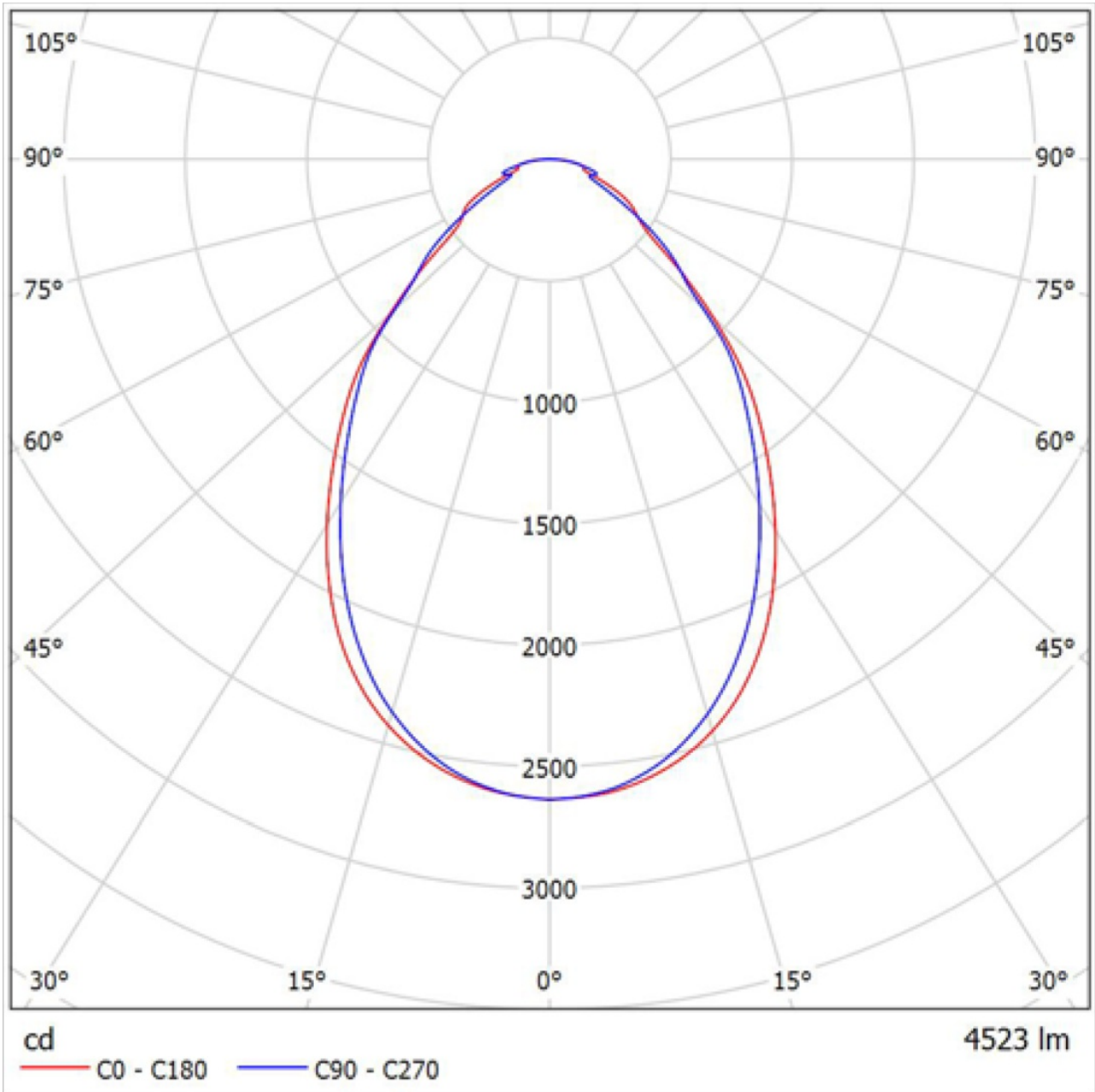


Photometric Data

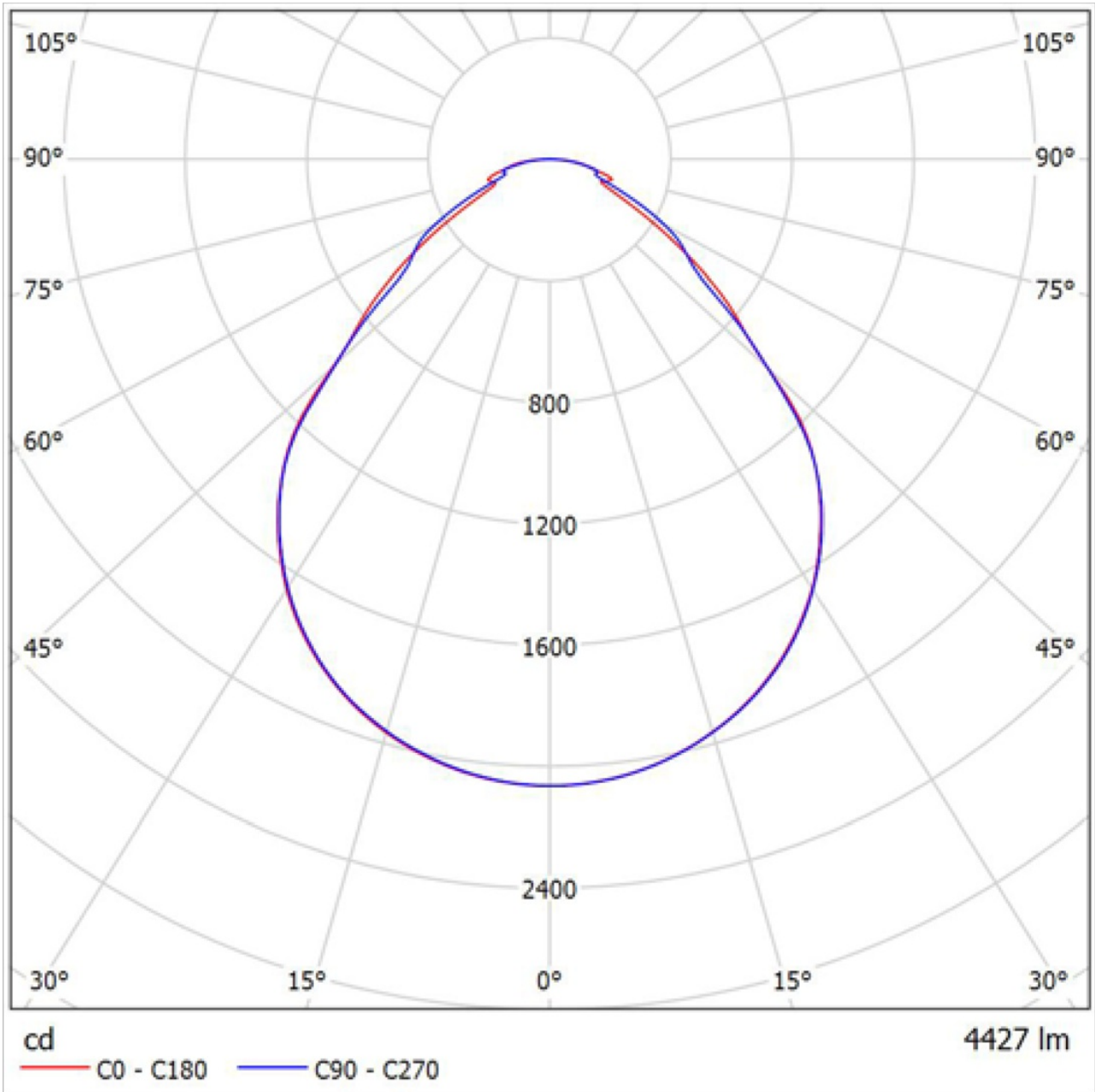
S9794-306CW



S9794-312CW



S9794-606CW



Product Images

