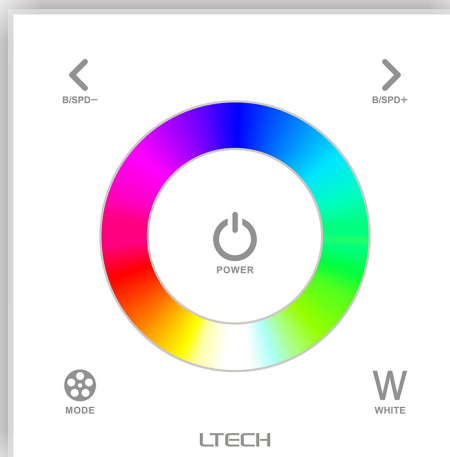
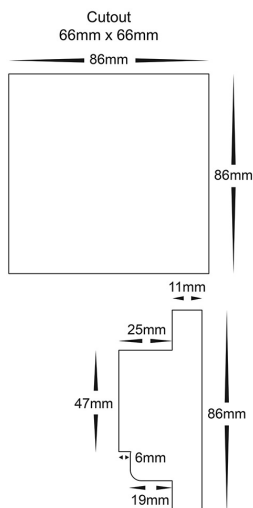


## PRODUCT SPECIFICATIONS

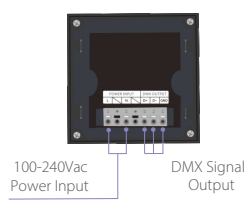
- Material:** Plastic + Glass
- Colour:** White
- LED Strip Type:** RGBC or RGBW
- No. of Zones:** 1
- Output Signal:** 2.4Ghz +DMX512
- Input Voltage:** 240v AC
- IP Rating:** IP20
- Dimmable:** Yes (5% - 100%)
- Warranty:** 2 Years Replacement\*\*



## DIMENSIONS



## WIRING DIAGRAM



## IP RATING

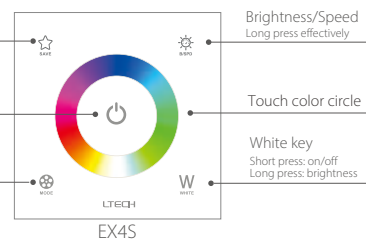


## OPERATING INSTRUCTIONS

Scene-mode  
Short press: play  
Long press: save

ON/OFF

Mode



\* When blue status light of ON/OFF key is on, long press to turn on/off buzzer.  
When white status light of ON/OFF key is on, long press to match code.

### Mode

1. Static red
2. Static green
3. Static blue
4. Static yellow
5. Static purple
6. Static cyan
7. Static white
8. RGB jumping
9. 7 Colors jumping
10. RGB color smooth
11. Full-color smooth
12. Static blue (only close RGB)

## Product Ordering

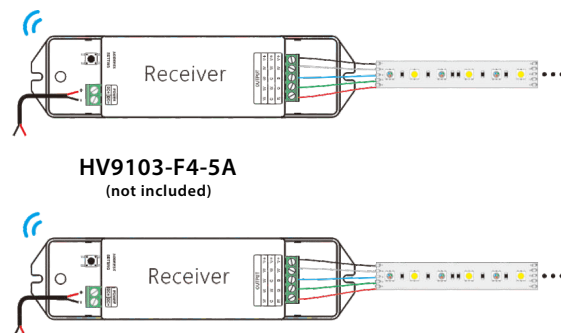
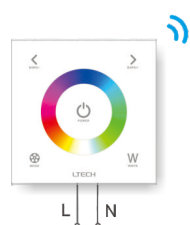
### IMAGE



### PART NUMBER

**HV9101-EX4S**

### SAMPLE INSTALLATION DIAGRAM



\*\* See Warranty Terms and Conditions for more information

For more information contact Havit Lighting

ADDRESS:  
143 Beauchamp Road  
Matraville NSW 2036  
Australia

Tel: 02 9381 8300  
Fax: 02 9666 8881  
Email: sales@havit.com.au  
web: www.havit.com.au