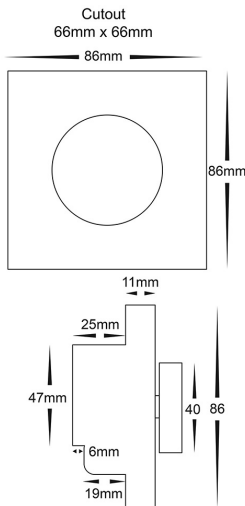


PRODUCT SPECIFICATIONS

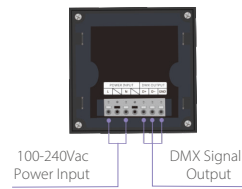
- Material:** Plastic + Glass
- Colour:** White
- LED Strip Type:** CT
- No. of Zones:** 1
- Output Signal:** 2.4Ghz +DMX512
- Input Voltage:** 240v AC
- IP Rating:** IP20
- Dimmable:** Yes (5% - 100%)
- Warranty:** 2 Years Replacement**



DIMENSIONS



WIRING DIAGRAM



IP RATING



OPERATING INSTRUCTIONS

Knob Function:



- Short press: On/Off.
- Long press: Switch CT/dimming mode.
- Spin: Adjust CT / brightness.

* When powered off, long press the knob for 5 seconds to turn on (off) the key tone.

Product Ordering

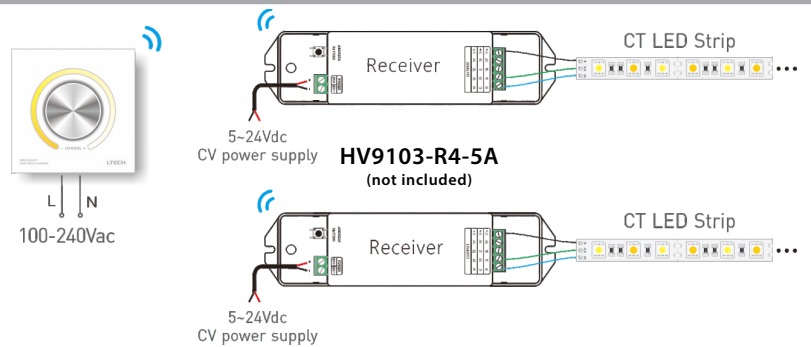
IMAGE



PART NUMBER

HV9101-DX62

SAMPLE INSTALLATION DIAGRAM



** See Warranty Terms and Conditions for more information

For more information contact Havit Lighting

ADDRESS:
143 Beauchamp Road
Matraville NSW 2036
Australia

Tel: 02 9381 8300
Fax: 02 9666 8881
Email: sales@havit.com.au
web: www.havit.com.au