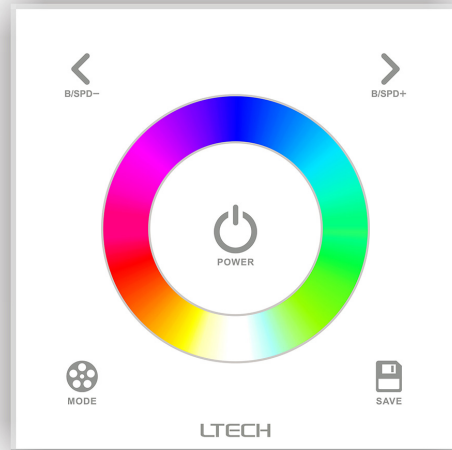
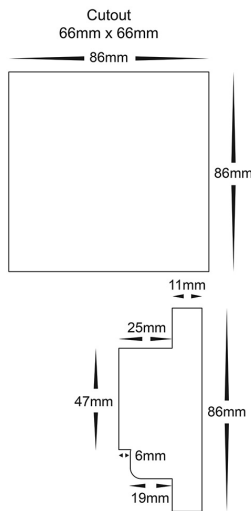


PRODUCT SPECIFICATIONS

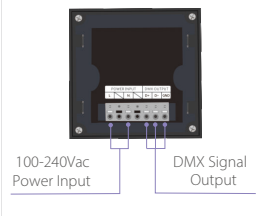
- Material:** Plastic + Glass
- Colour:** White
- LED Strip Type:** RGB
- No. of Zones:** 1
- Output Signal:** 2.4Ghz +DMX512
- Input Voltage:** 240v AC
- IP Rating:** IP20
- Dimmable:** Yes (5% - 100%)
- Warranty:** 2 Years Replacement**



DIMENSIONS



WIRING DIAGRAM



IP RATING



OPERATING INSTRUCTIONS



* When On/Off indicator light is on, long press to turn on/off buzzer.
When On/Off indicator light is off, long press to match code.

Mode

1. Static Red
2. Static Green
3. Static Blue
4. Static Yellow
5. Static Purple
6. Static Cyan
7. Static White
8. RGB Jumping
9. 7 Colors Jumping
10. RGB Color Smooth
11. Full-color Smooth

Product Ordering

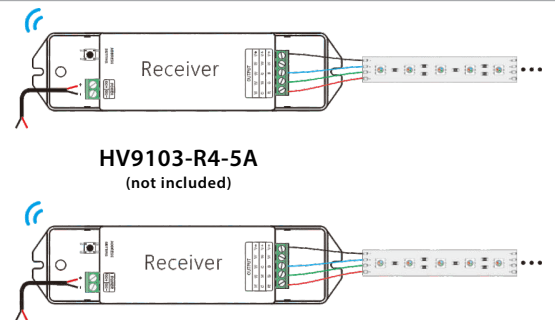
IMAGE

PART NUMBER



HV9101-DX3

SAMPLE INSTALLATION DIAGRAM



** See Warranty Terms and Conditions for more information

For more information contact Havit Lighting

ADDRESS:
143 Beauchamp Road
Matraville NSW 2036
Australia

Tel: 02 9381 8300
Fax: 02 9666 8881
Email: sales@havit.com.au
web: www.havit.com.au