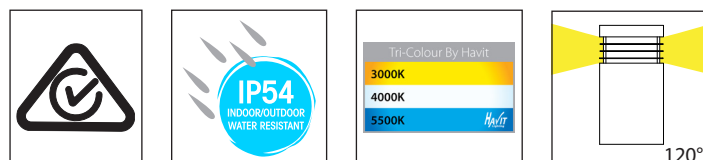


Maxi 600 316 Stainless Steel Bollard Lights



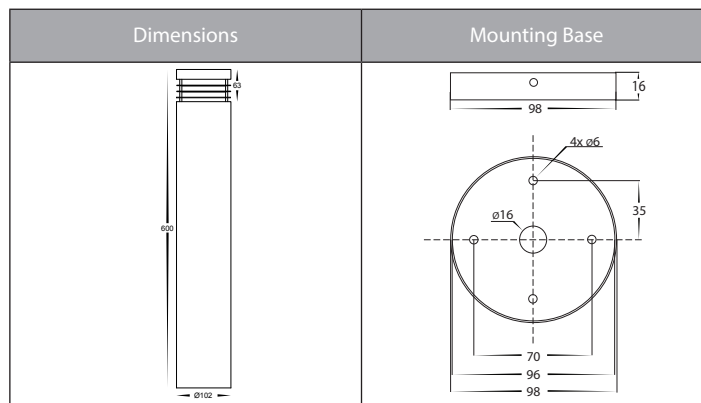
Product Specifications

| | |
|-------------------|--|
| Name | Maxi 600 |
| Material | 316 Stainless Steel |
| Colour | Stainless Steel or Poly powder coated black |
| IP Rating | IP54 |
| Installation Type | Ground - Surface Mounted |
| Lamp Base | E27 or MR16 |
| Max Wattage | 15w - Must be used with LED Globes only |
| Protection Class | 240v = 1 (Requires Earth) 12v DC = 3 (No Earth Required) |
| Lamp Expectancy | <30,000hrs |
| Diffuser Type | Frosted Perspex |
| CRI | CRI>80 |
| Dimmable | No - Not with supplied globes, See below for GU10 dimmable options |
| IK Rating | IK08 |
| Warranty | 3 Years Replacement* |



Optional Havit Compatible Accessories

| Image | Part Number | Colour Temp | Input Voltage | Beam Angle | Included LED |
|-------|--------------------|---|---------------|------------|---|
| | HV9507 | 3000k 4000k 5500k | 12v DC | 60° | TRI Colour 3/5/7w MR16 LED |
| | HV9508 | | 24v DC | | |
| | 12v DC LED Drivers | See Catalogue or Website for full range of 12v DC LED Drivers | | | |
| | HV1607 | Optional spike for installation into ground. | | | |



Product Ordering

| Image | Part Number | Colour Temp | Lumens | Input Voltage | Beam Angle | Included LED | Barcode |
|-------|---------------------------|-------------------------|-------------------------|---------------|------------|----------------------------------|---------------|
| | HV1606T-SS316-240V | 3000k 4000k 5500k | 700lm 720lm 740lm | 240v AC | 120° | TRI Colour 9w E27 LED | 9350418016133 |
| | HV1606T-SS316-12V | 3000k 4000k 5500k | 270lm 285lm 300lm | 12v DC | 120° | TRI Colour 5w MR16 LED | 9350418016126 |
| | HV1606T-BLK-240V | 3000k 4000k 5500k | 700lm 720lm 740lm | 240v AC | 120° | TRI Colour 9w E27 LED | 9350418016119 |
| | HV1606T-BLK-12V | 3000k 4000k 5500k | 270lm 285lm 300lm | 12v DC | 120° | TRI Colour 5w MR16 LED | 9350418016102 |

*Items ordered after 01-01-2022

