



# SMART WiFi TRIDENT SOLAR CAMERA

Monitor outside your home from anywhere



WiFi  
NO HUB REQUIRED

Works with  
IFTTT



**The powerful Smart solar operated HD camera, enables control via the BrilliantSmart App on your phone.**

Solar powered – no cords, no wiring, truly wireless and easy to install.

Full high definition resolution 1080P (FHD) camera, delivers a crystal clear video.

Advanced PIR motion detection identifies changes in movement and sends a notification to your phone/tablet.

Two-way and one-way audio options.

Built-in Infra-red night vision, allows you to see in the dark.

Manually record live video direct to your phone through the BrilliantSmart app.

Built in memory card slot supports up to 64GB SD card. Older footage is overwritten. Recording is motion activated when SD card is installed (card not included).

Access recordings from anywhere with your smartphone.

IP65 Weather-resistant.

Rechargeable lithium-ion batteries included.

Records in time lapse segments.

Compatible with BrilliantSmart devices via automation & IFTTT.

## APPLICATIONS

- Monitor outside your home from anywhere.
- Setup virtual calls via IFTTT when motion is detected
- Create in app automation, so lights illuminate based on behaviours, ie: when movement is detected via a sensor, the lights turn on automatically..





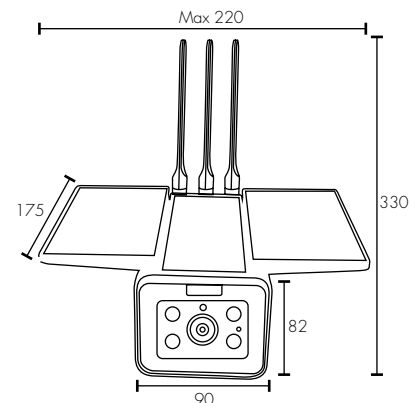
# SMART WiFi TRIDENT SOLAR CAMERA



## TECHNICAL SPECIFICATIONS

<b>Class:</b>	Class III
<b>Camera type:</b>	Full High Definition, 2-megapixel
<b>Video resolution:</b>	1080P (1980 x 1080 pixels), 25fps
<b>Audio:</b>	Two-way and one-way audio
<b>Field of view:</b>	100 degree wide viewing angle
<b>Motion detection:</b>	Advanced PIR
<b>PIR detection distance:</b>	Up to 8m
<b>PIR detection angle:</b>	120 degrees
<b>Night vision:</b>	4 x infrared LED's
<b>Night vision distance:</b>	Up to 5m
<b>Solar Wattage:</b>	6W
<b>Ingress protection:</b>	IP65 rated (for outdoor use only)
<b>Memory:</b>	Micro SD card slot (64GB max, not included), rolling
<b>Power source:</b>	Built in rechargeable lithium-ion battery (38Wh capacity)
<b>Operating temperature:</b>	5°C to 40°C
<b>Warranty:</b>	2 year replacement
<b>WiFi Info:</b>	IEEE802.11b/g/n, 2.4GHz Mac Encryption; WEP/WAPI/TKIP/AES
<b>Device Requirements:</b>	iOS 8.0 or higher, Android 4.1 or higher

## INSTALLATION

Do-it-Yourself installation



	MODEL	COLOUR	DESCRIPTION	BOX SIZE	GROSS WEIGHT	BOX QTY	BARCODE/TUN
<b>RETAIL BOX</b>	21007/05	White	Smart WiFi Trident Solar Camera	W262 x H225 x D116 mm	1.38 kg	1 pc	 9 312641 210078 >
<b>OUTER CTN</b>	21007/05	White	Smart WiFi Trident Solar Camera		13.8 kg	10 pc	 19312641210075