

Last modification

2024-04-24

## ELDON EX-WH 9329501068472



The Eldon exterior wall light offers a sleek blend of aluminium and glass construction, boasting a sand finish for a contemporary look. Available in both black and white options, it's designed to enhance outdoor spaces with both style and durability.

### Overview

<b>Family name</b>	Eldon
<b>Categories</b>	Coach Lights
<b>Mounting</b>	Surface
<b>Usage</b>	Outdoor Lighting

### Color / Material

<b>Fixture Color</b>	White
<b>Fixture Finish</b>	Sand
<b>Fixture Material</b>	Aluminium, Glass

### Size

<b>Fixture Width (cm)</b>	14.0
<b>Fixture Height (cm)</b>	27.0
<b>Fixture Projection (cm)</b>	17.0
<b>Canopy Projection (cm)</b>	2.0
<b>Canopy Width (cm)</b>	11.0
<b>Canopy Height</b>	13.0

### Specification

<b>Voltage Input</b>	240V
<b>Total Wattage (max)</b>	25
<b>Globe Type</b>	E27
<b>Globe / Light Source qty</b>	1
<b>Globe / Light Source included</b>	No
<b>Electrical Protection</b>	CLASS I - HIGH VOLTAGE, EARTH REQUIRED
<b>IP rating</b>	IP43
<b>Lead and Plug</b>	No
<b>Approvals</b>	RCM

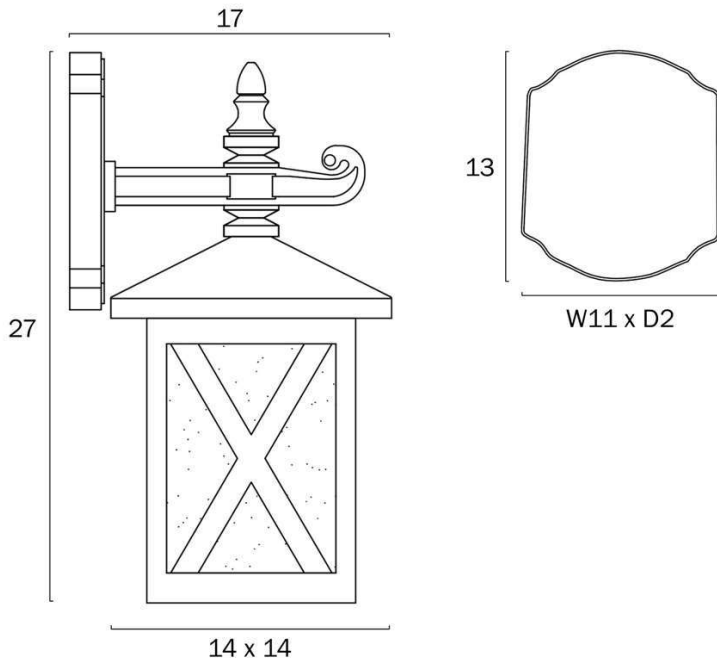
All representations within this document are subject to copyright. ELECTRICAL INSTALLATIONS MUST BE PERFORMED BY A QUALIFIED ELECTRICAL CONTRACTOR AND INSTALLED IN ACCORDANCE WITH AS/NZS 3000.  
NOTE : All images , descriptions and dimensions are indicative. Please check latest version of item detail on Telbix website prior to ordering or installation.

<b>Installation Required</b>	Yes (by Licensed Electrician only)
<b>Care Instructions</b>	Do not use strong liquid cleaners, Wipe clean with a dry cloth
<b>Replacement Warranty</b>	*3 Years

Barcode

**GTIN** 9329501068472

Image -dimensions



Note: Dimensions are only a guide and may vary due to manufacturing variations.