

Residential Range

Wall Lights

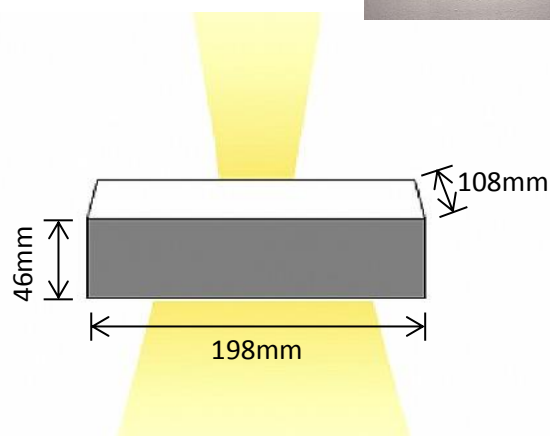
Up/Down Wall Light

Product Code	LED's	Battery	Solar Panel	IP Rating	Lumens
SLDWL228-3K/BLK	19 x SMD LED @0.2W Warm White	2 x 2200mAh Li-ion	2W Integrated Polycrystalline	44	500 @ 1m
SLDWL228-3K/SIL	19 x SMD LED @0.2W Warm White	2 x 2200mAh Li-ion	2W Integrated Polycrystalline	44	500 @ 1m

Features:

- Black P.C. or Stainless Steel Finish
- Approximately 10-12 hours Operation
- Up and Down Lighting
- Machined Aluminium
- On/Off Switch

1 Year Warranty!



Packaged Fitting Weight & Dimensions

W: 0.8kg

D: 25cm x 16cm x 7cm