

Commercial Range

Post Lights

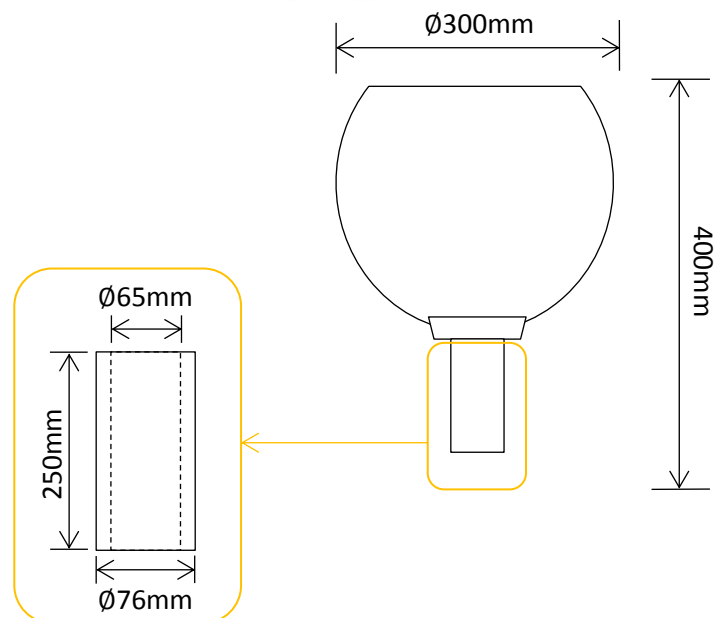
Poly-Carb 'Retro Fit' Post Light

| Product Code | LED's | Battery | Solar Panel | IP Rating | Lumens |
|-----------------|----------------------------------|--------------------------|-------------------------------|-----------|----------|
| SLDPL1011 / BLK | 24 x LEDs @ 0.2W ea (Warm White) | 1 x 6.4vDC 4.5Ah LifePo4 | 3W Integrated Polycrystalline | 67 | 200 @ 1m |

Features:

- Die Cast Aluminium Frame
- Polycarbonate Sphere - Opal Finish
- High Quality Black Powder Coating
- Approximately 8 hours Operation
- Surface Mounted Base

2 Year Warranty!



Packaged Fitting Weight & Dimensions

W: 2.5kg

D: 24cm x 24cm x 54cm