

Residential Range

Pillar Lights

Traditional Pillar Light

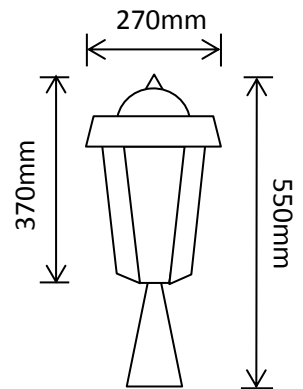
| Product Code | LED's | Battery | Solar Panel | IP Rating | Lumens |
|----------------------|---|------------------------|------------------------------------|-----------|----------|
| SLDPIL0012A-3.8W-PIR | 18 x SMD @0.2W (CW) 1 x SMD @0.2W (WW) | 1 x 3.7V 2.2Ah NiMH | 2.4W Integrated Polycrystalline | 44 | 200 @ 1m |
| SLDPIL0009A-3.8W-PIR | 18 x SMD @0.2W (CW) 1 x SMD @0.2W (WW) | 1 x 3.7V 2.2Ah NiMH | 2.4W Integrated Polycrystalline | 44 | 200 @ 1m |

Features:

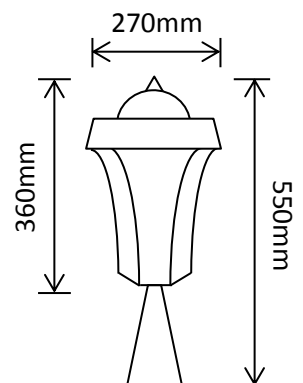
- Pyro-electric Infrared Sensor
- Aluminium Alloy Construction
- Manual Over-ride on Sensor
- Approximately 1 minute Sensor Run Time
- Approximately 6-8 hours Operation
- Decorative Surface Mounted Base
- Glass Lampshade Panels
- Black P.C. Finish

1 Year Warranty!

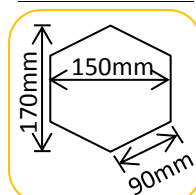
SLDPIL0012A-3.8-PIR



SLDPIL0009A-3.8-PIR



Base Dimensions



Packaged Fitting Weight & Dimensions

W: 3kg

D: 31cm x 31cm x 48cm