

Residential Range

Garden Spot Lights

High Output Garden Spot Light Kit

Product Code	LED's	Battery	Solar Panel	IP Rating	Lumens
SLDGSK0055	1 x 5W COB LED (CW)	1 x 12V 10Ah Li-Ion	20W Separate Polycrystalline	65	500 @ 1m/per light

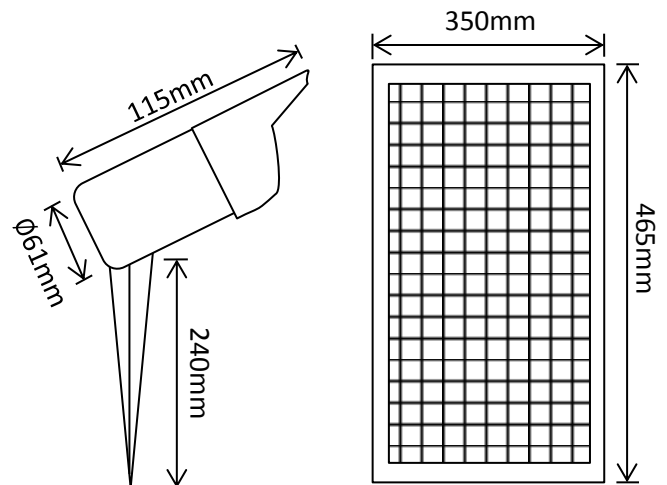
Features:

- Approximately 6-8 hours Operation
- Spike Mounting
- On/Off Switch

Kit Includes:

- 3 x Hi-Output 5W Garden Spots with Spike & 5m of cable per light
- 1 x Remote Solar Panel with Battery
- 1 x 3-way Splitter and Accessories
- Colour filters

1 Year Warranty!



Packaged Fitting Weight & Dimensions

W: 5.1kg

D: 51cm x 39cm x 13cm