

Residential Range

Garden Spot Lights

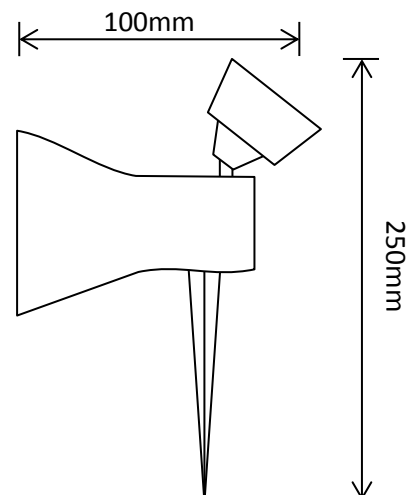
Garden Spot Light

Product Code	LED's	Battery	Solar Panel	IP Rating	Lumens
SLDGS0052	9 x SMD @0.2W (WW)	1 x 1.2V 1500mAh NiMH	0.5W Attached Polycrystalline	44	60 @ 1m

Features:

- Approximately 6–8hours Operation
- Spike or Surface Mount Option
- On/Off Switch
- High/Low Brightness Setting

1 Year Warranty!



Packaged Fitting Weight & Dimensions

W: 0.3kg

D: 13cm x 13cm x 18cm