

# Residential Range

## Flood Lights

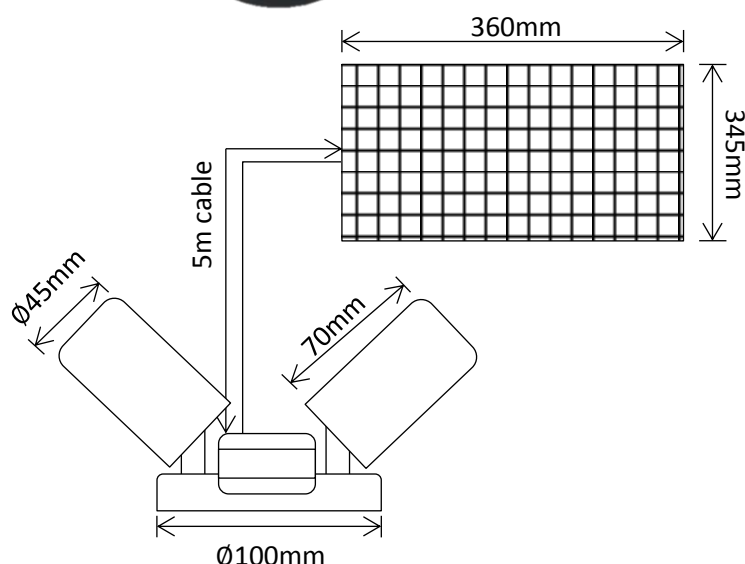
### Flood Light with Motion Sensor

Product Code	LED's	Battery	Solar Panel	IP Rating	Lumens
SLDFL25W-PIR	2 x COB @5W (CW)	1 x 12V 5.2Ah	15W Separate Polycrystalline	65	500 @ 1m

#### Features:

- Built in Photo Electric Cell
- Approximately 6-8-hours Operation
- Pyro-electric Infrared Sensor
- Sensitivity Adjustable
- Time Adjustable
- Remote Control Operation
- 180 Degree Sensor Adjustment
- 360 Degree Light Adjustment
- Wall Mounting Bracket
- Colour - Black

**1 Year Warranty!**



#### Packaged Fitting Weight & Dimensions

W: 4.8kg

D: 47cm x 37cm x 20cm